

# INSTALLATION MANUAL

For CMS Architectural Panel Systems



Details, Dimensions, Installation Instructions and Technical Data for:

EZ-LOC<sup>®</sup>  
LT-100<sup>®</sup>  
HT-150<sup>®</sup>  
CLASSIC BATTEN<sup>®</sup>  
SS-24/26<sup>®</sup>  
NCR<sup>®</sup>  
MS-16<sup>®</sup>

[www.coastalmetalservice.com](http://www.coastalmetalservice.com)

Quality Assured. Top to Bottom, Front to Back, Start to Finish!

# TABLE OF CONTENTS

I.	TABLE OF CONTENTS	_____	PAGE 1
II.	CONCEALED FASTENER PANELS		
	EZ-LOC	_____	PAGE 3
	LT-100	_____	PAGE 5
	HT-150	_____	PAGE 7
	CLASSIC BATTEN	_____	PAGE 9
	MS-16	_____	PAGE 11
	SS-24	_____	PAGE 13
	SS-26	_____	PAGE 15
	NCR PANEL	_____	PAGE 17
III.	VERTICAL WALL & SOFFIT PANELS		
	VS-12	_____	PAGE 19
	VS-111	_____	PAGE 20
IV.	CLIPS	_____	PAGE 21
V.	HANDLING NOTES	_____	PAGE 22
VI.	SCREWS	_____	PAGE 23
VII.	FLASHING AND ACCESSORIES		
	STYLE "A" EAVE TRIM	_____	PAGE 25
	STYLE "B" EAVE TRIM	_____	PAGE 27
	VALLEY	_____	PAGE 29
	STARTER CLIP	_____	PAGE 31
	TERMINATION CLIP	_____	PAGE 33
	TERMINATION CLIP LT	_____	PAGE 35
	TERMINATION CLIP HT	_____	PAGE 37
	GABLE	_____	PAGE 39
	SIDEWALL	_____	PAGE 41
	ENDWALL	_____	PAGE 43
	TRANSITION	_____	PAGE 45
	HIP & RIDGE	_____	PAGE 47

# TABLE OF CONTENTS

## VII. FLASHING AND ACCESSORIES (CONT.)

VENTED RIDGE COVER	PAGE 49
SINGLE SLOPE RIDGE	PAGE 51
COPING CAP	PAGE 52
KNEE CAPS	PAGE 53
GAMBREL TRIM	PAGE 54
SOFFIT ACCESSORIES	PAGE 55
ACCESSORIES	PAGE 56

## VIII. INSTALLATION NOTES PAGE 57

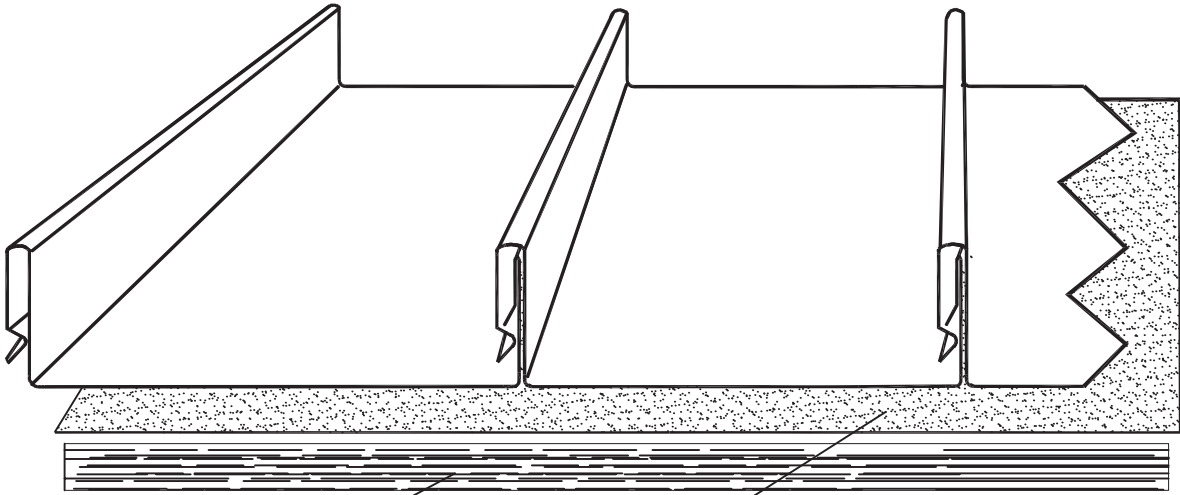
## IX. TAKE OFF CHECKLIST AND SAMPLE DRAWING PAGE 59

## X. DECKING REQUIREMENTS PAGE 61

## XI. NOTES PAGE 62



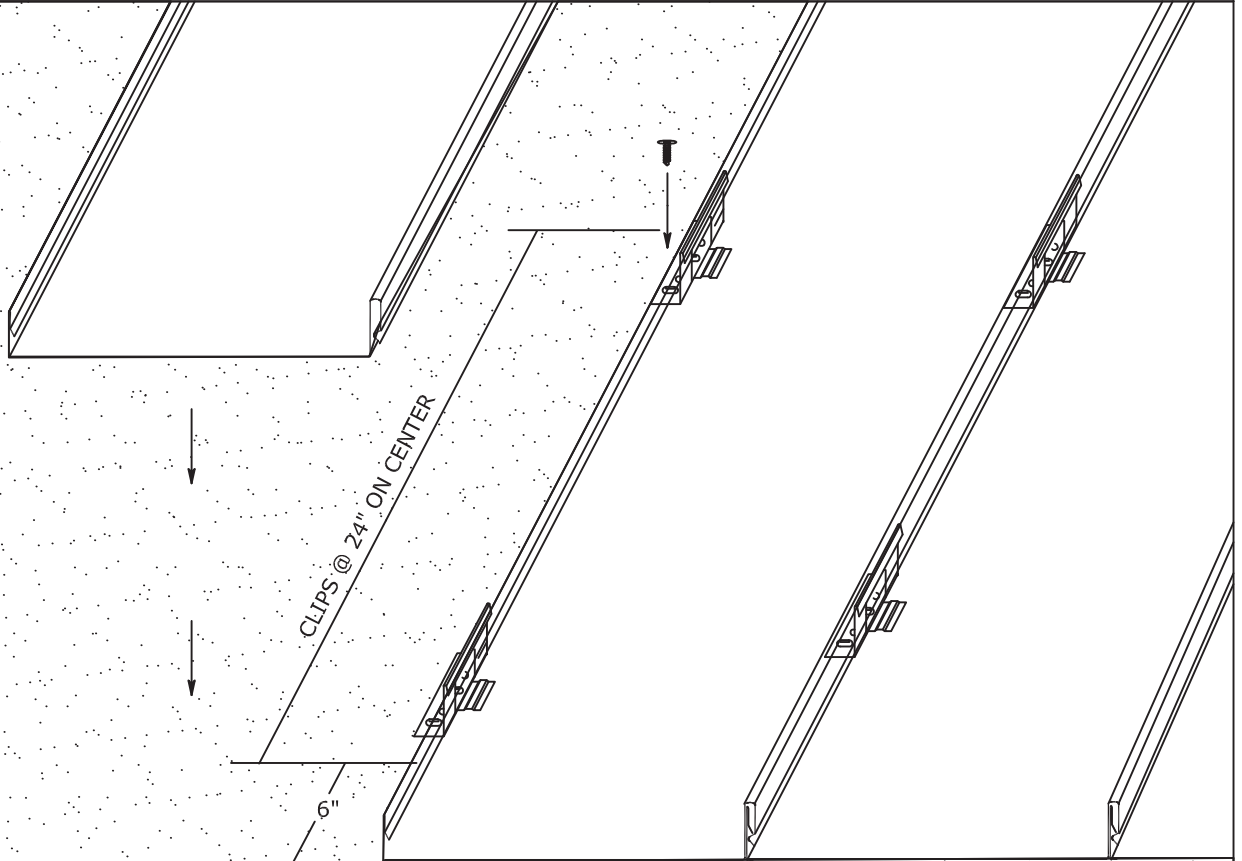
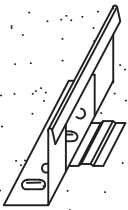
# EZ-LOC STANDING SEAM PANEL



SOLID DECKING OR OPEN PURLINS

30# FELT (MINIMUM)

UL-90 CLIP SHOWN

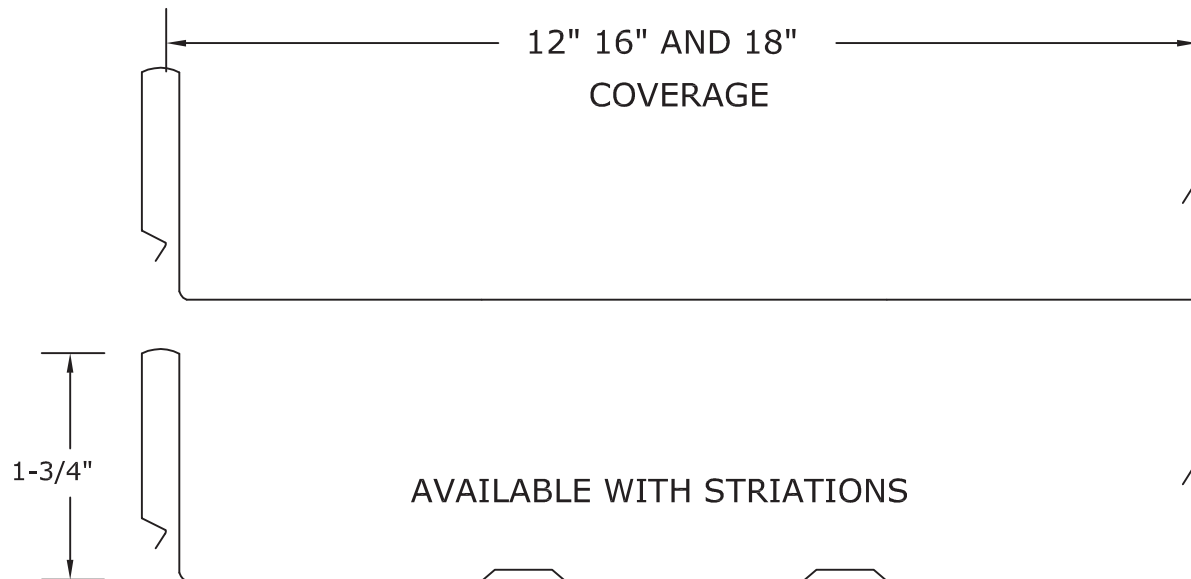


CLIPS @ 24" ON CENTER

6"



## EZ-LOC STANDING SEAM PANEL



## -INSTALLATION-

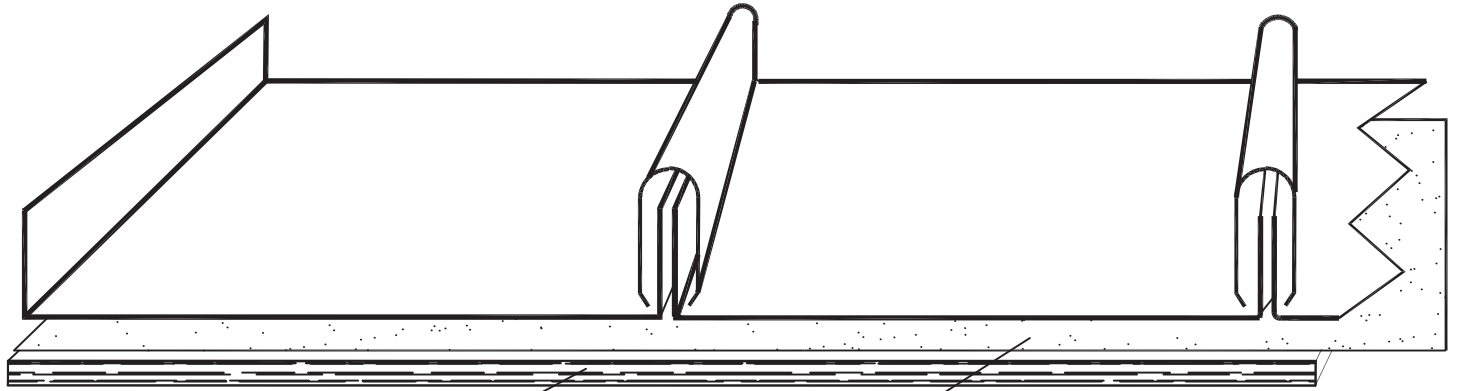
EZ-LOC MAY BE INSTALLED OVER SOLID DECKING OR OPEN PURLINS.

- 1- THE FIRST PANEL IS PLACED ON THE ROOF AT THE RAKE EDGE WITH THE FEMALE SIDE OF THE PANEL FACING THE OUTSIDE OF THE ROOF.
- 2- THE FIRST CLIP IS PLACED 6" FROM THE EAVE OF THE ROOF. THE TOP OF THE CLIP IS PLACED OVER THE MALE LEG OF THE EZ-LOC PANEL. IT IS THEN FASTENED TO THE ROOF WITH PAN-HEAD SCREWS. THE FOLLOWING CLIPS WILL BE PLACED AT 2' ON CENTER.
- 3- THE NEXT PANEL WILL BE INSTALLED BY PLACING THE FEMALE SIDE OF THE PANEL OVER THE MALE LEG OF THE PANEL THAT'S ALREADY INSTALLED. IT WILL BE PRESSED DOWN UNTIL THE PANEL SNAPS INTO POSITION.
- 4- THE CLIPS ARE THEN ATTACHED TO THIS PANEL AND THE PROCESS IS REPEATED.

## -NOTES-

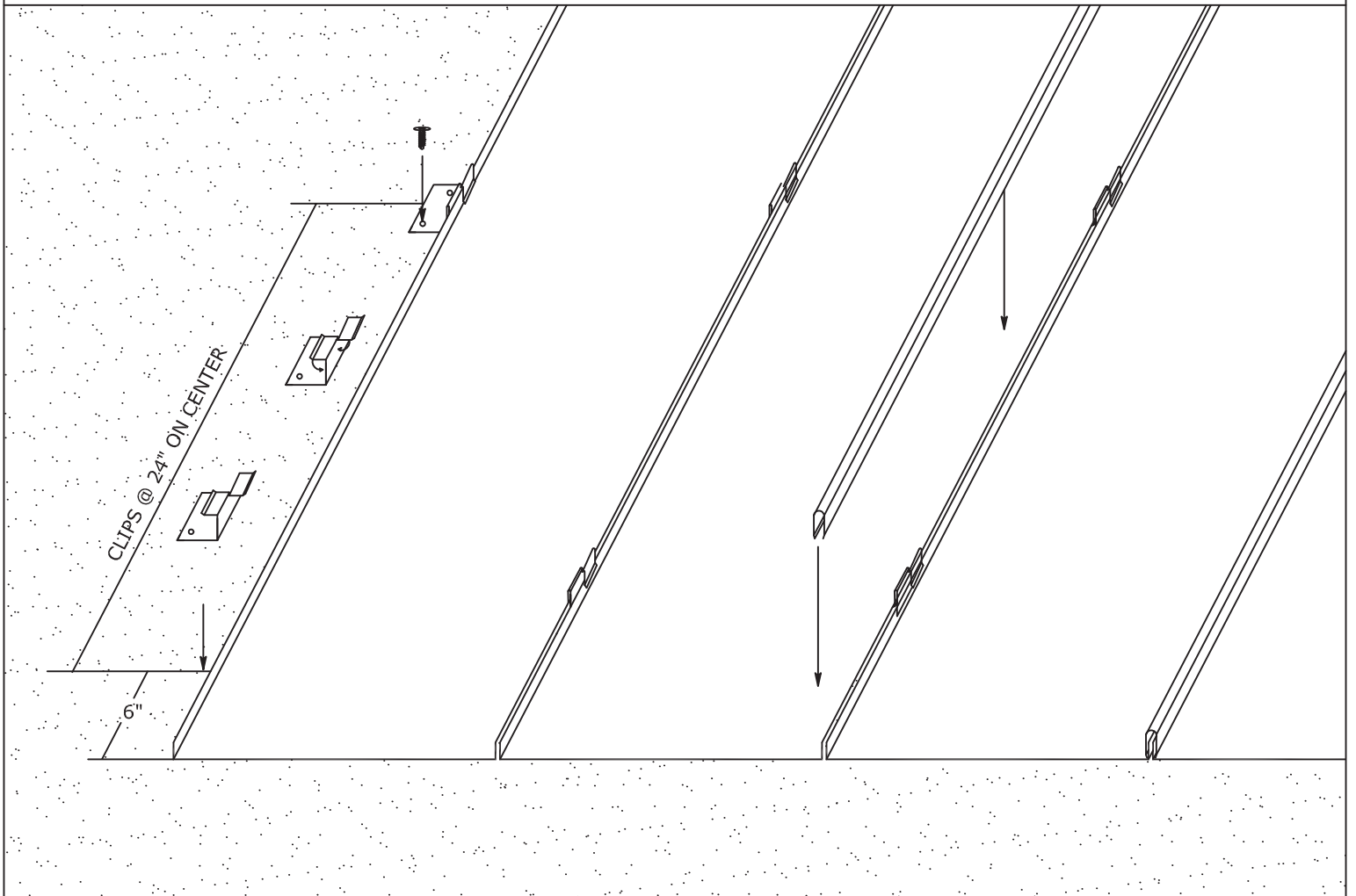
- EZ-LOC IS A STRUCTURAL PANEL, IT CAN BE INSTALLED OVER OPEN PURLINS AS WELL AS A SOLID DECK.
- IF A SOLID DECK IS USED, 30-LB MIN. FELT IS REQUIRED.
- EZ-LOC IS AN INTEGRAL PANEL. IT IS A FASTER INSTALLATION WITHOUT BATTENS. IT CAN ONLY BE INSTALLED IN ONE DIRECTION.
- IT IS PROTECTED BY A KYNAR 500/HYLAR 5000 PAINT SYSTEM, ALSO AVAILABLE IN ACRYLUME.
- EZ-LOC IS MANUFACTURED FROM 24 GAUGE STEEL, .032 ALUMINUM, AND 16 OZ. COPPER.

# LT-100 STANDING SEAM PANEL



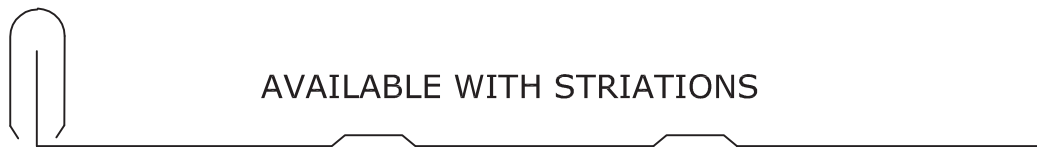
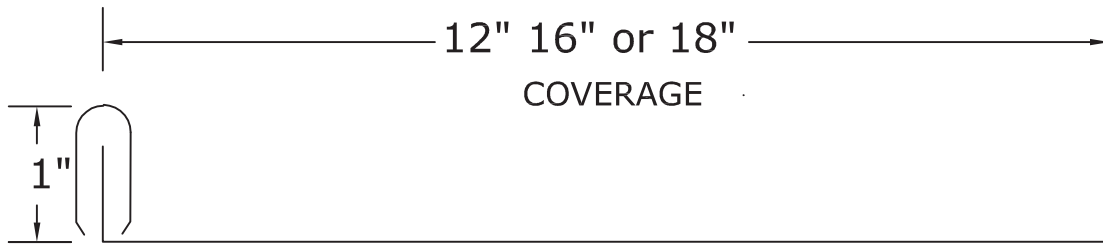
SOLID DECKING REQUIRED

30# FELT (MINIMUM)





## LT-100 STANDING SEAM PANEL



## -INSTALLATION-

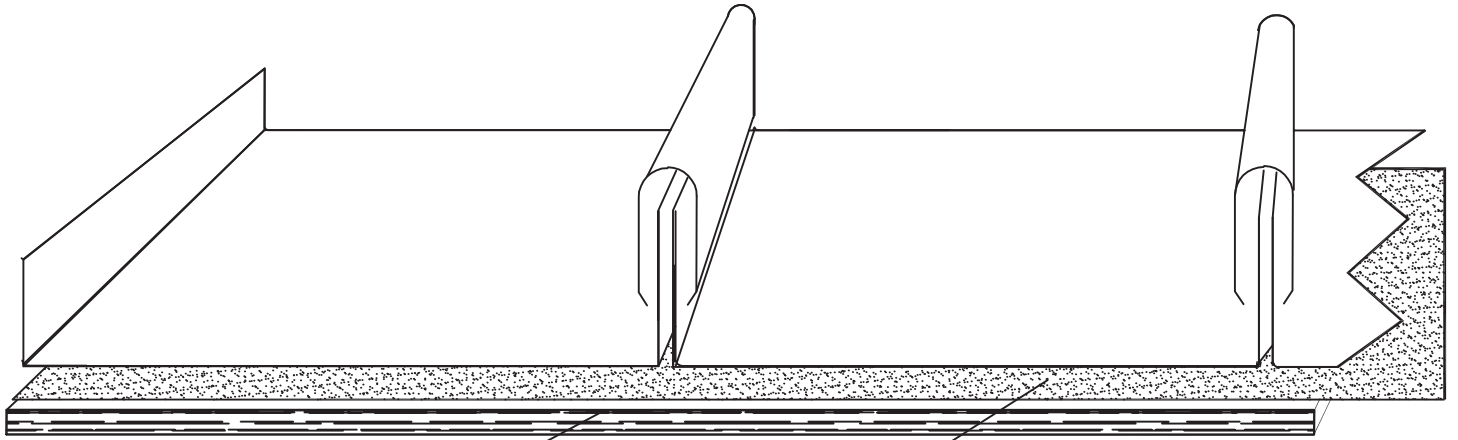
LT-100 IS INSTALLED ONLY OVER SOLID DECKING

- 1- THE FIRST PANEL IS PLACED ON THE ROOF AT THE DESIRED START POINT.
- 2- THE CLIP IS PLACED DIRECTLY BESIDE THE PANEL WITH ONE "WING" OF THE CLIP FOLDED OVER THE VERTICAL LEG OF THE PANEL. THE FIRST CLIP IS PLACED 6" FROM THE EAVE. FROM THERE, THEY ARE PLACED EVERY 2' ON CENTER. EACH CLIP IS FASTENED WITH PAN HEAD SCREWS.
- 3- AT THIS POINT, THE NEXT PANEL IS PLACED AND THE OPPOSITE "WING" OF THE CLIP IS FOLDED DOWN OVER THE VERTICAL LEG OF THIS PANEL.
- 4- THE BATTEN IS THEN PLACED OVER THE SEAM. IT IS PRESSED DOWN UNTIL THE CLIPS SNAP INTO PLACE.
- 5- THE NEXT PANEL IS PLACED ON THE ROOF AND THE PROCESS IS REPEATED.

## -NOTES-

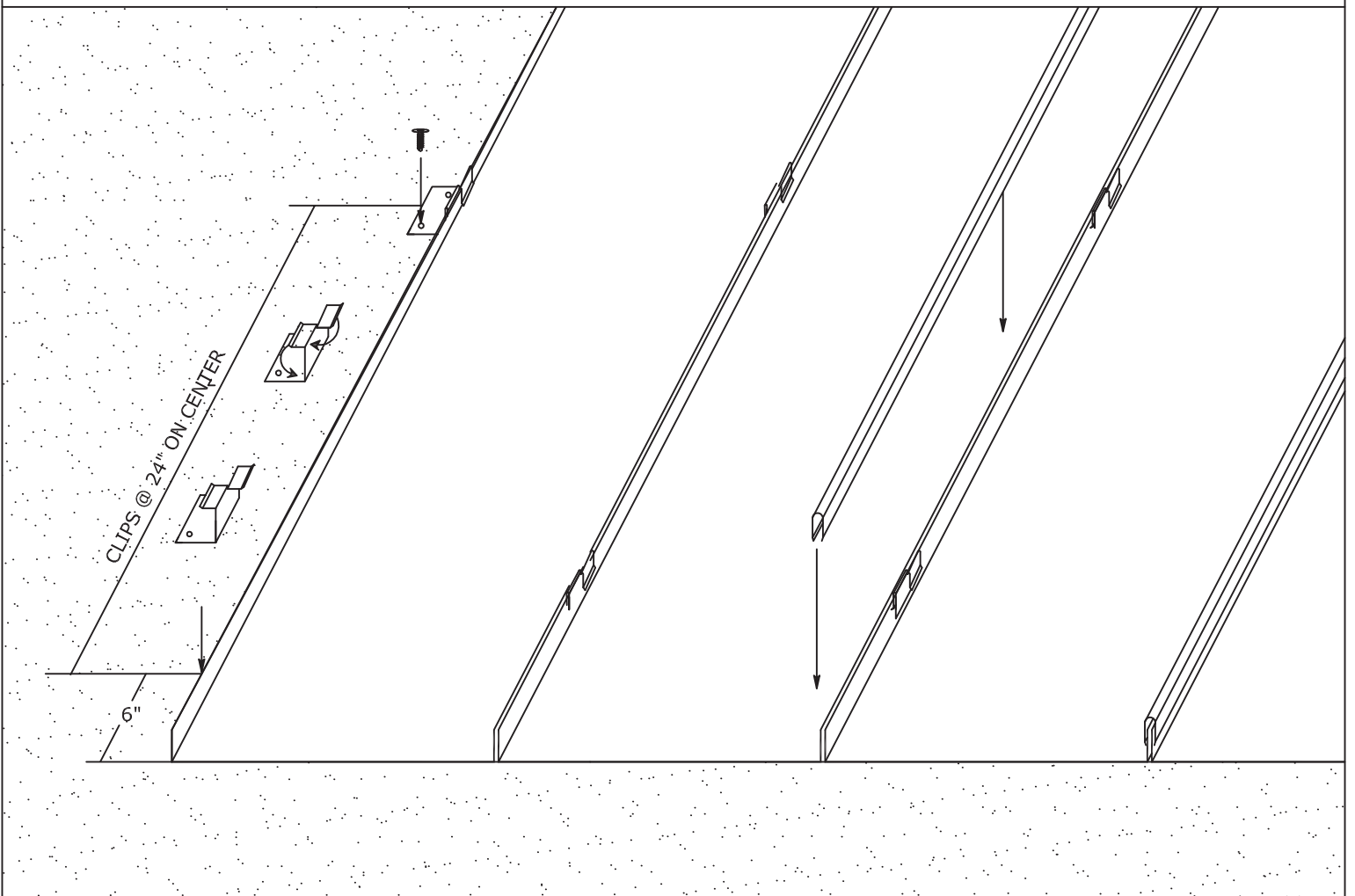
- LT-100 MAY BE INSTALLED IN EITHER DIRECTION. THIS MAKES IT A PERFECT CHOICE FOR COMPLICATED JOBS.
- SOLID DECKING IS REQUIRED FOR THIS PANEL
- LT-100 HAS A UL-90 RATING.
- IT IS PROTECTED BY A KYNAR 500/HYLAR 5000 PAINT SYSTEM.
- LT-100 IS MANUFACTURED FROM 24 GAUGE STEEL.

# HT-150 STANDING SEAM PANEL



SOLID DECKING REQUIRED

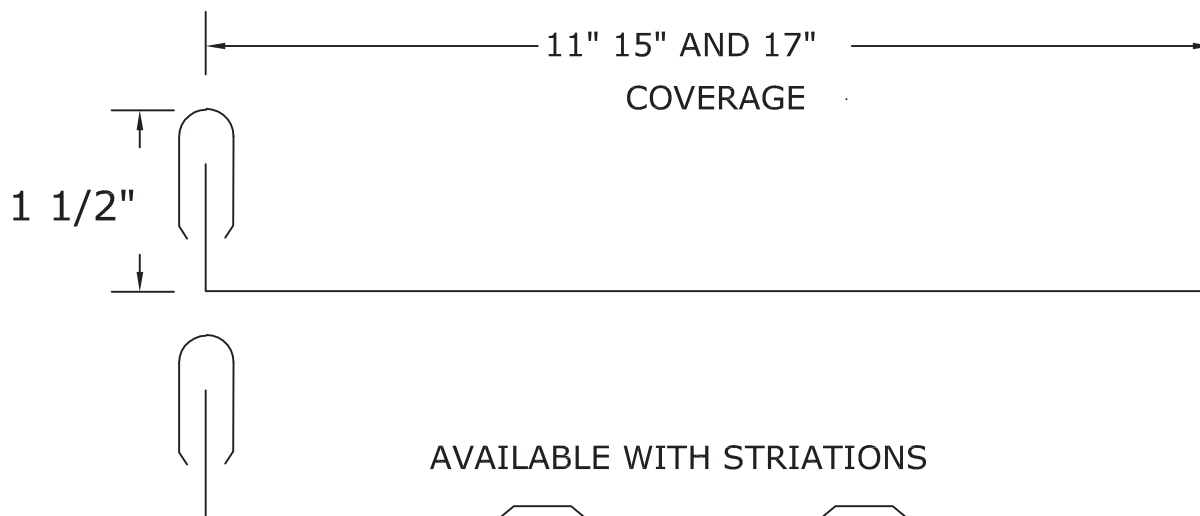
30# FELT (MINIMUM)







## HT-150 STANDING SEAM PANEL



## -INSTALLATION-

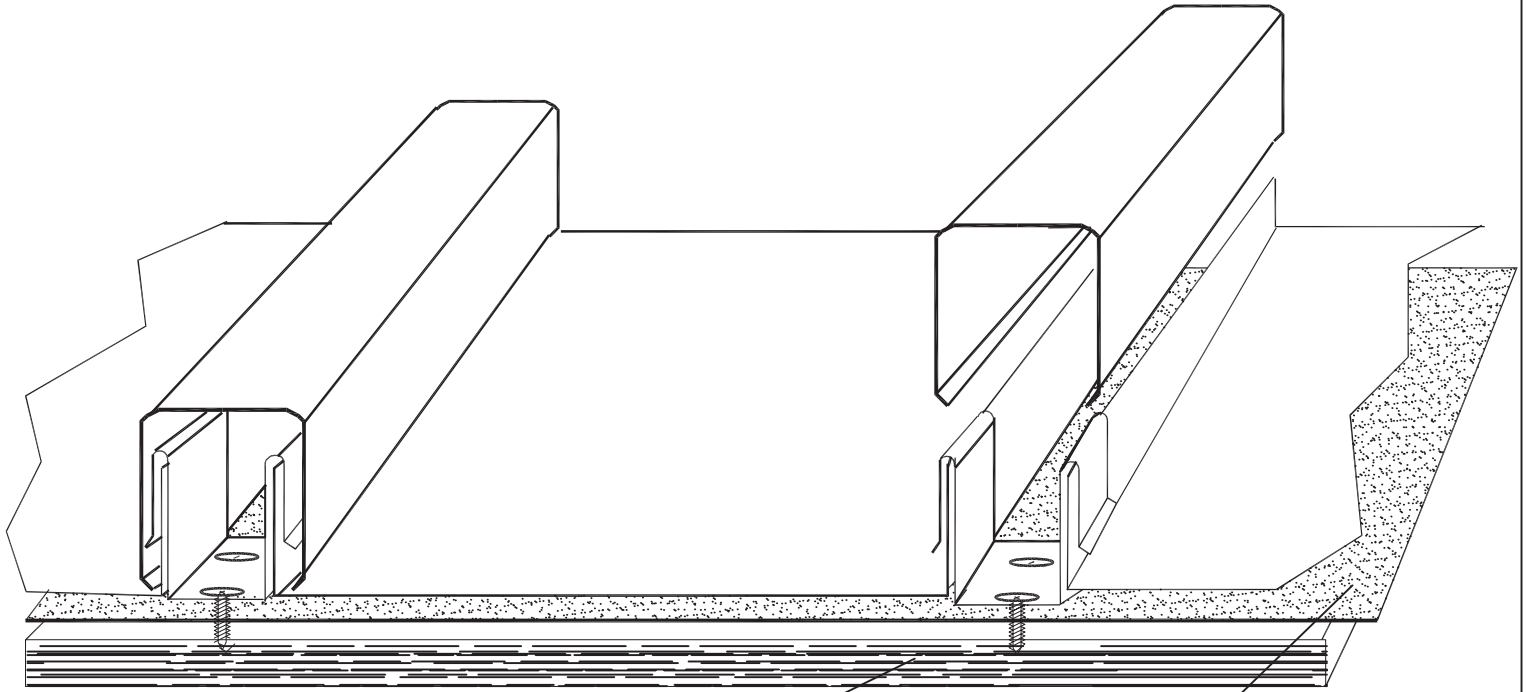
HT-150 IS INSTALLED ONLY OVER SOLID DECKING

- 1- THE FIRST PANEL IS PLACED ON THE ROOF AT THE DESIRED START POINT.
- 2- THE CLIP IS PLACED DIRECTLY BESIDE THE PANEL WITH ONE "WING" OF THE CLIP FOLDED OVER THE VERTICAL LEG OF THE PANEL. THE FIRST CLIP IS PLACED 6" FROM THE EAVE. FROM THERE, THEY ARE PLACED EVERY 2' ON CENTER. EACH CLIP IS FASTENED WITH PAN HEAD SCREWS.
- 3- AT THIS POINT, THE NEXT PANEL IS PLACED AND THE OPPOSITE "WING" OF THE CLIP IS FOLDED DOWN OVER THE VERTICAL LEG OF THIS PANEL.
- 4- THE BATTEN IS THEN PLACED OVER THE SEAM. IT IS PRESSED DOWN UNTIL THE CLIPS SNAP INTO PLACE.
- 5- THE NEXT PANEL IS PLACED ON THE ROOF AND THE PROCESS IS REPEATED.

## -NOTES-

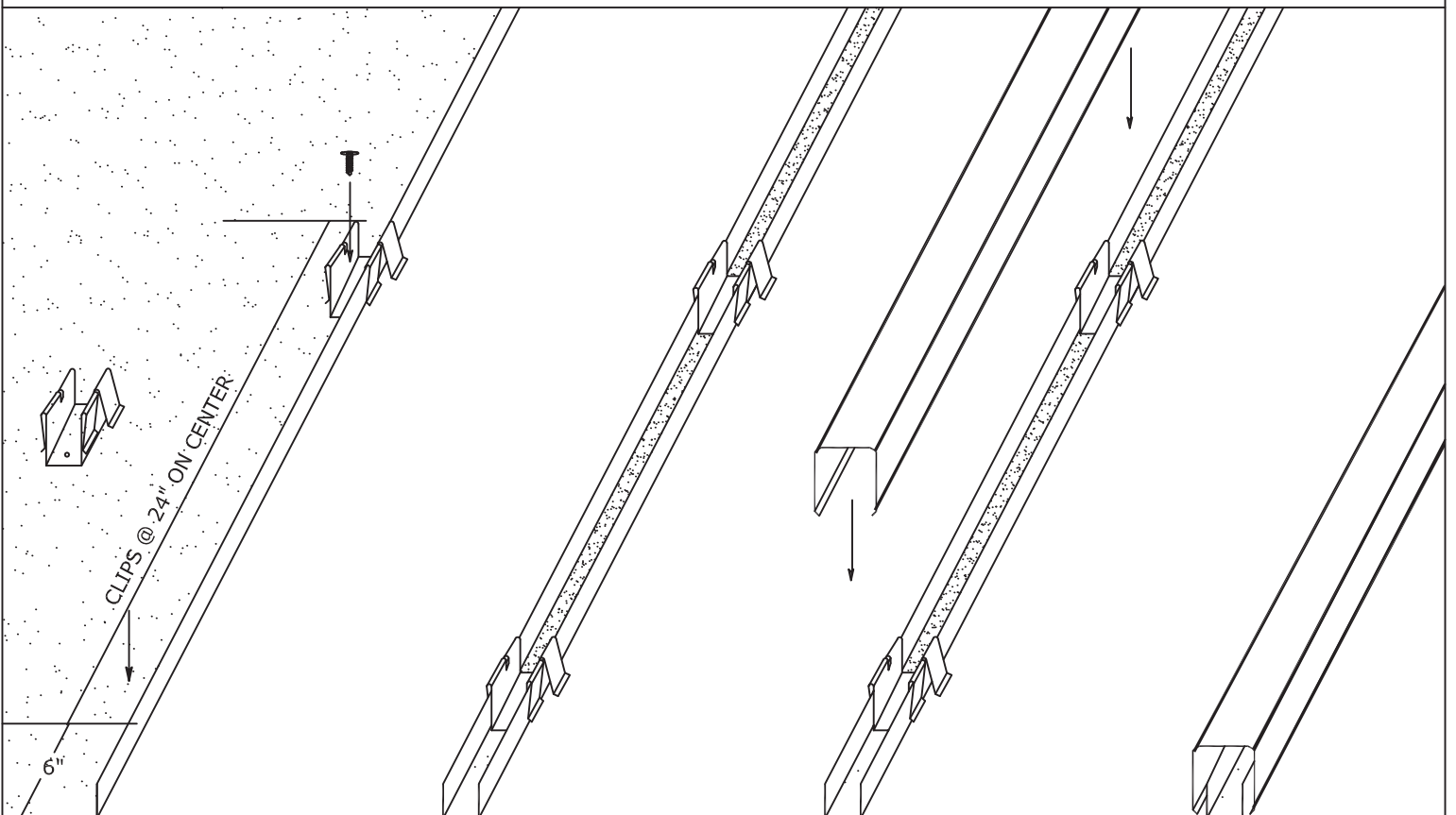
- HT-150 MAY BE INSTALLED IN EITHER DIRECTION. THIS MAKES IT A PERFECT CHOICE FOR COMPLICATED JOBS.
- SOLID DECKING IS REQUIRED FOR THIS PANEL
- HT-150 HAS A UL-90 RATING.
- IT IS PROTECTED BY A KYNAR 500/HYLAR 5000 PAINT SYSTEM.
- HT-150 IS MANUFACTURED FROM 24 GAUGE STEEL.

# CLASSIC BATTEN STANDING SEAM PANEL



SOLID DECKING REQUIRED

30# FELT (MINIMUM)

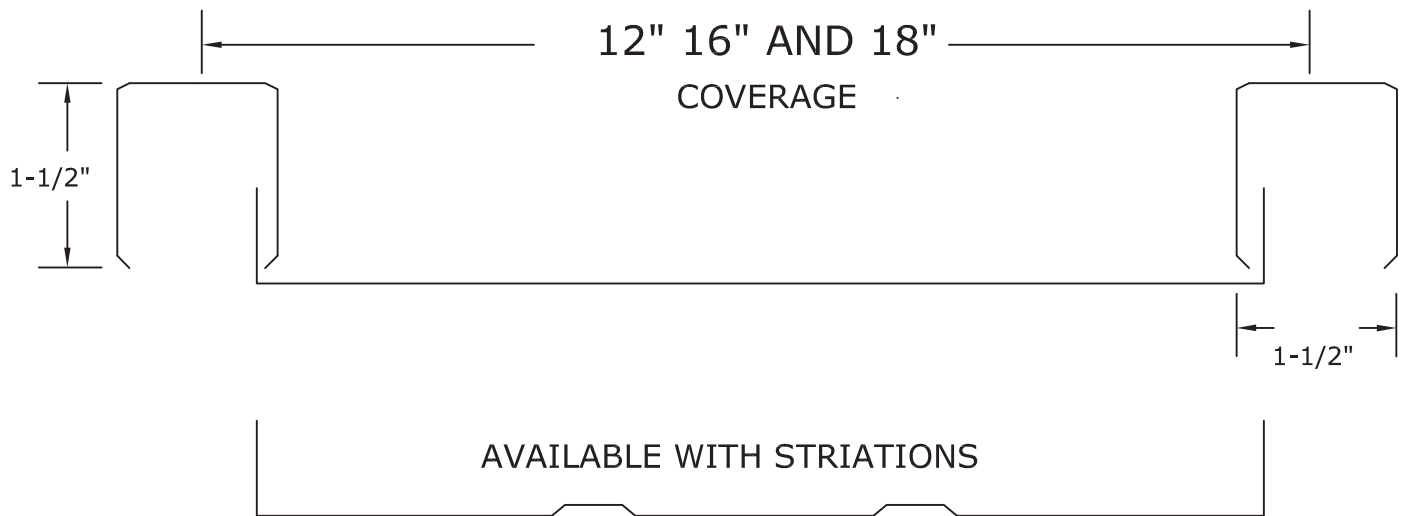


CLIPS @ 24" ON CENTER

6"



## CLASSIC BATTEN STANDING SEAM PANEL



### -INSTALLATION-

CLASSIC BATTEN IS INSTALLED ONLY OVER SOLID DECKING

- 1- THE FIRST PANEL IS PLACED ON THE ROOF AT THE DESIRED START POINT.
- 2- THE FIRST PANEL IS PLACED ON THE ROOF AT THE DESIRED START POINT. THE SECOND PANEL IS PLACED PARALLEL TO THE FIRST WITH APPROXIMATELY 7/8" BETWEEN THEM.
- 3- AT THIS POINT, THE NEXT PANEL IS PLACED AND THE OPPOSITE "WING" OF THE CLIP IS FOLDED DOWN OVER THE VERTICAL LEG OF THIS PANEL.
- 4- THE BATTEN IS THEN PLACED OVER THE SEAM. IT IS PRESSED DOWN UNTIL THE CLIPS SNAP INTO PLACE.
- 5- THE NEXT PANEL IS PLACED ON THE ROOF AND THE PROCESS IS REPEATED.

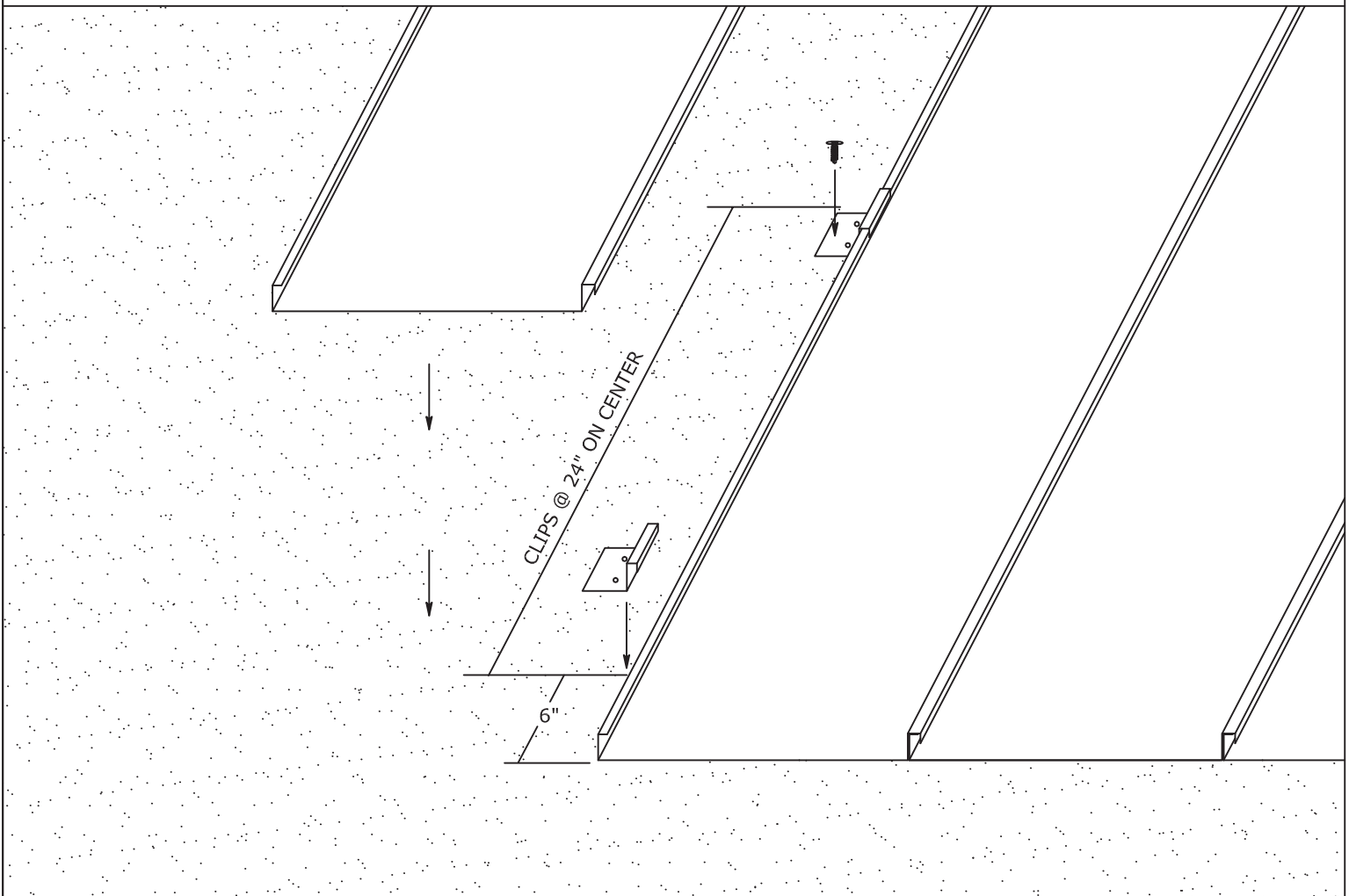
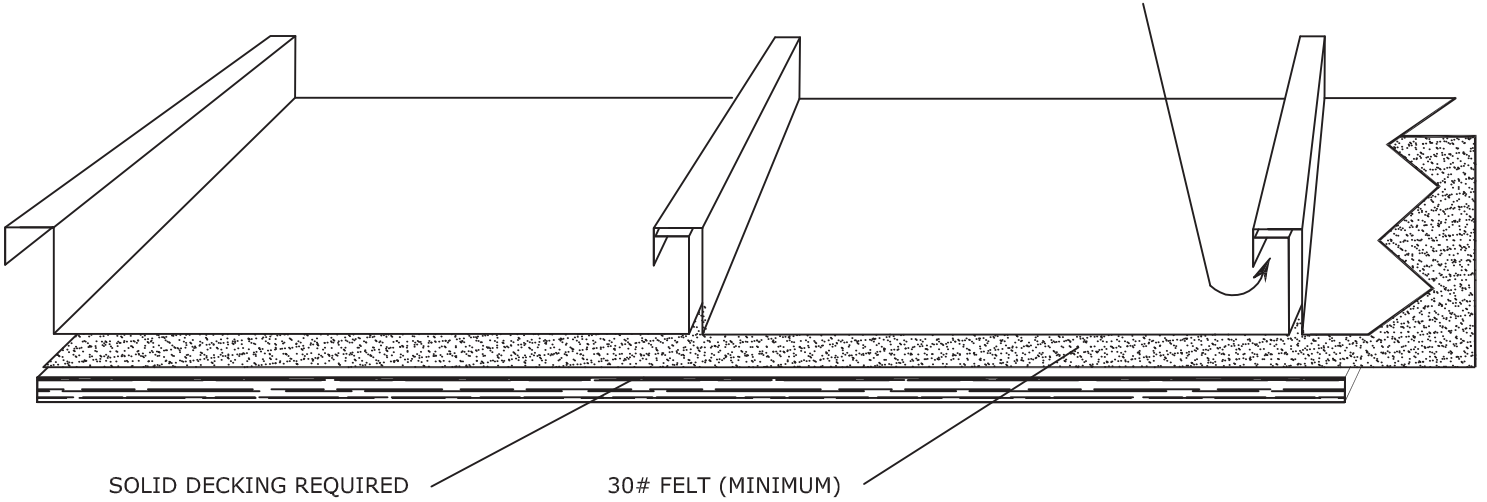
### -NOTES-

- CLASSIC BATTEN MAY BE INSTALLED IN EITHER DIRECTION.
- SOLID DECKING IS REQUIRED FOR THIS PANEL
- CLASSIC BATTEN HAS A UL-90 RATING.
- IT IS PROTECTED BY A KYNAR 500/HYLAR 5000 PAINT SYSTEM.
- CLASSIC BATTEN IS MANUFACTURED FROM 24 GAUGE STEEL.

# MS-16

## MECHANICALLY SEAMED 16"

### 24 GAUGE \*\*\*PANEL MUST BE SEAMED IN THE FIELD





## MS-16 STANDING SEAM PANEL



\*\* ONLY AVAILABLE WITH STRIATIONS \*\*

\*\*\*THIS PANEL IS SEAMED IN THE FIELD AFTER INSTALLATION\*\*\*

-INSTALLATION-

MS-16 IS INSTALLED ONLY OVER SOLID DECKING

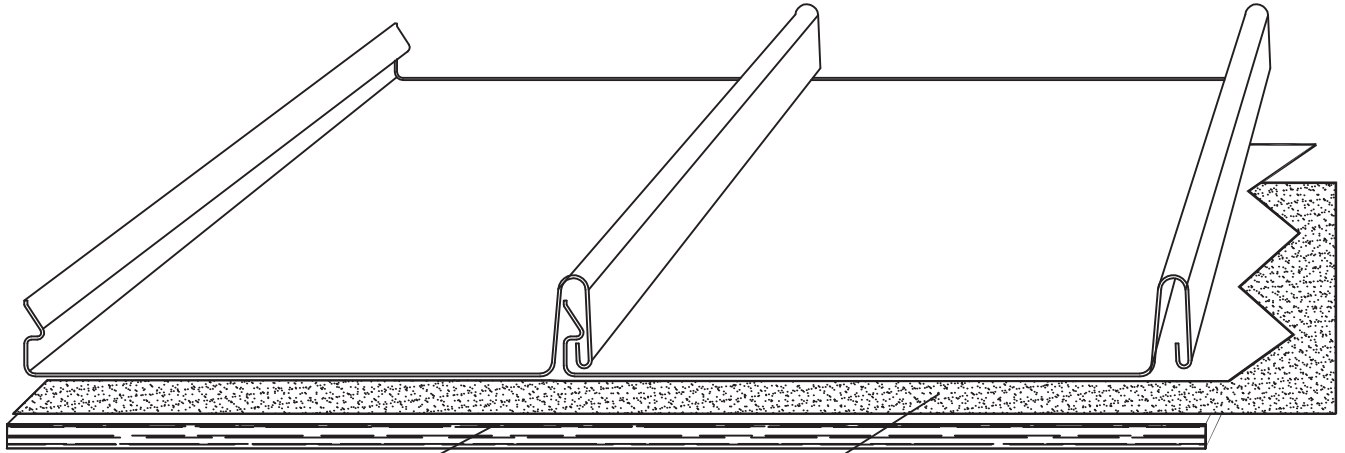
- 1- THE FIRST PANEL IS PLACED ON THE ROOF AT THE DESIRED START POINT.
- 2- THE CLIP IS PLACED DIRECTLY BESIDE THE PANEL. THE FIRST CLIP IS PLACED 6" FROM THE EAVE.  
FROM THERE, THEY ARE PLACED EVERY 2' ON CENTER. EACH CLIP IS FASTENED WITH PAN HEAD SCREWS.
- 3- AT THIS POINT, THE NEXT PANEL IS PLACED AND PANEL CAN BE CLOSED IN THE FIELD WITH A SEAMER.
- 4- THE NEXT PANEL IS PLACED ON THE ROOF AND THE PROCESS IS REPEATED.

-NOTES-

- MS-16 MAY ONLY BE INSTALLED ON ONE DIRECTION.
- SOLID DECKING IS REQUIRED FOR THIS PANEL
- IT IS PROTECTED BY A KYNAR 500/HYLAR 5000 PAINT SYSTEM.
- MS-16 IS MANUFACTURED FROM 24 GAUGE STEEL.

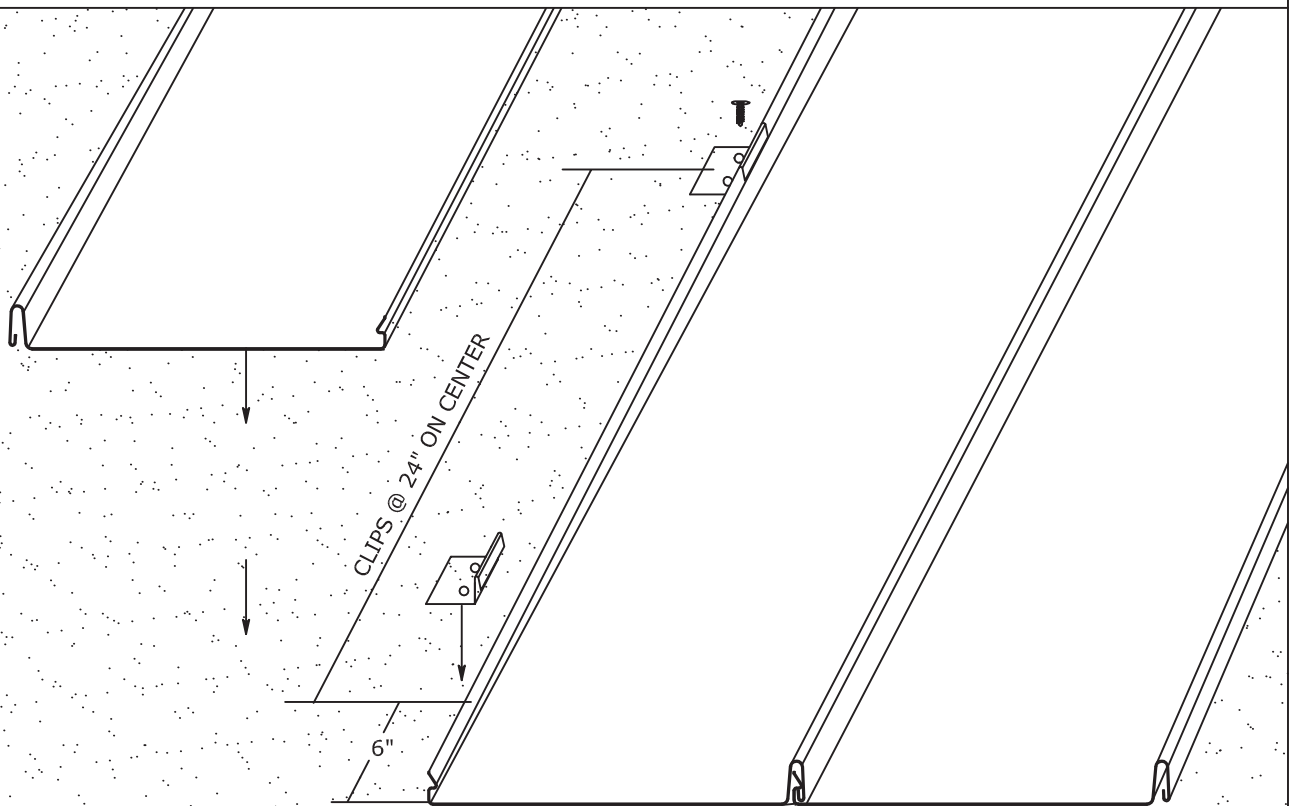
# SS-24

## STANDING SEAM 24 GAUGE



SOLID DECKING REQUIRED

30# FELT (MINIMUM)





## SS-24 STANDING SEAM PANEL



\*\* ONLY AVAILABLE WITH STRIATIONS \*\*

-INSTALLATION-

SS-24 IS INSTALLED ONLY OVER SOLID DECKING

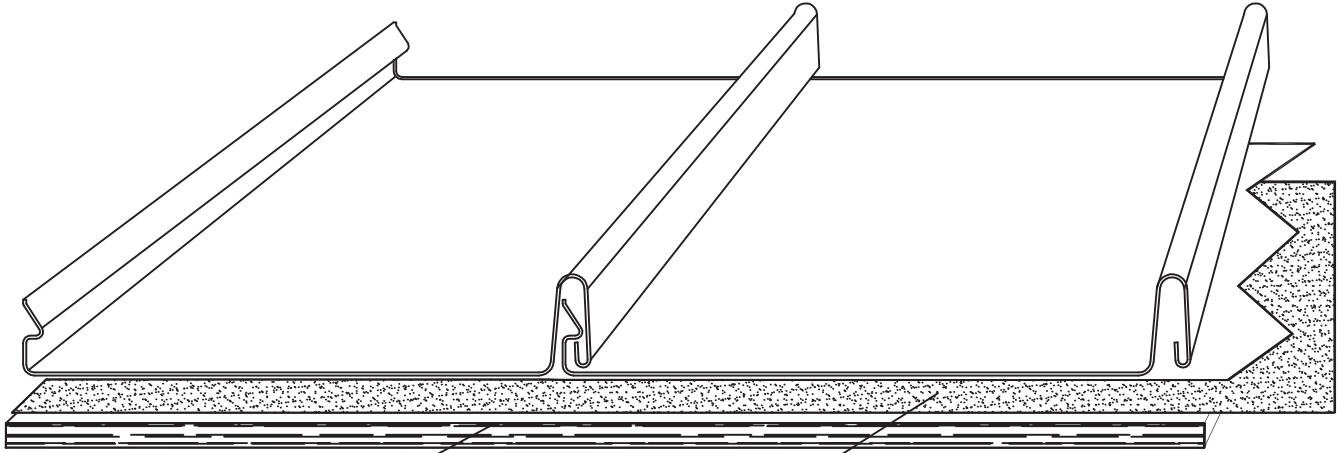
- 1- THE FIRST PANEL IS PLACED ON THE ROOF AT THE DESIRED START POINT.
- 2- THE CLIP IS PLACED DIRECTLY BESIDE THE PANEL. THE TOP OF THE CLIP IS PLACED OVER THE MALE LEG OF THE SS-24 PANEL. THE FIRST CLIP IS PLACED 6" FROM THE EAVE. FROM THERE, THEY ARE PLACED EVERY 2' ON CENTER. EACH CLIP IS FASTENED WITH PAN-HEAD SCREWS.
- 3- THE NEXT PANEL IS PLACED ON THE ROOF AND THE PROCESS IS REPEATED.

-NOTES-

- SOLID DECKING IS REQUIRED FOR THIS PANEL
- SS-24 IS AN INTEGRAL PANEL. IT IS A FASTER INSTALLATION WITHOUT BATTENS. IT CAN ONLY BE INSTALLED IN ONE DIRECTION.
- IT IS PROTECTED BY A KYNAR 500/HYLAR 5000 PAINT SYSTEM.
- SS-24 IS MANUFACTURED FROM 24 GAUGE STEEL.

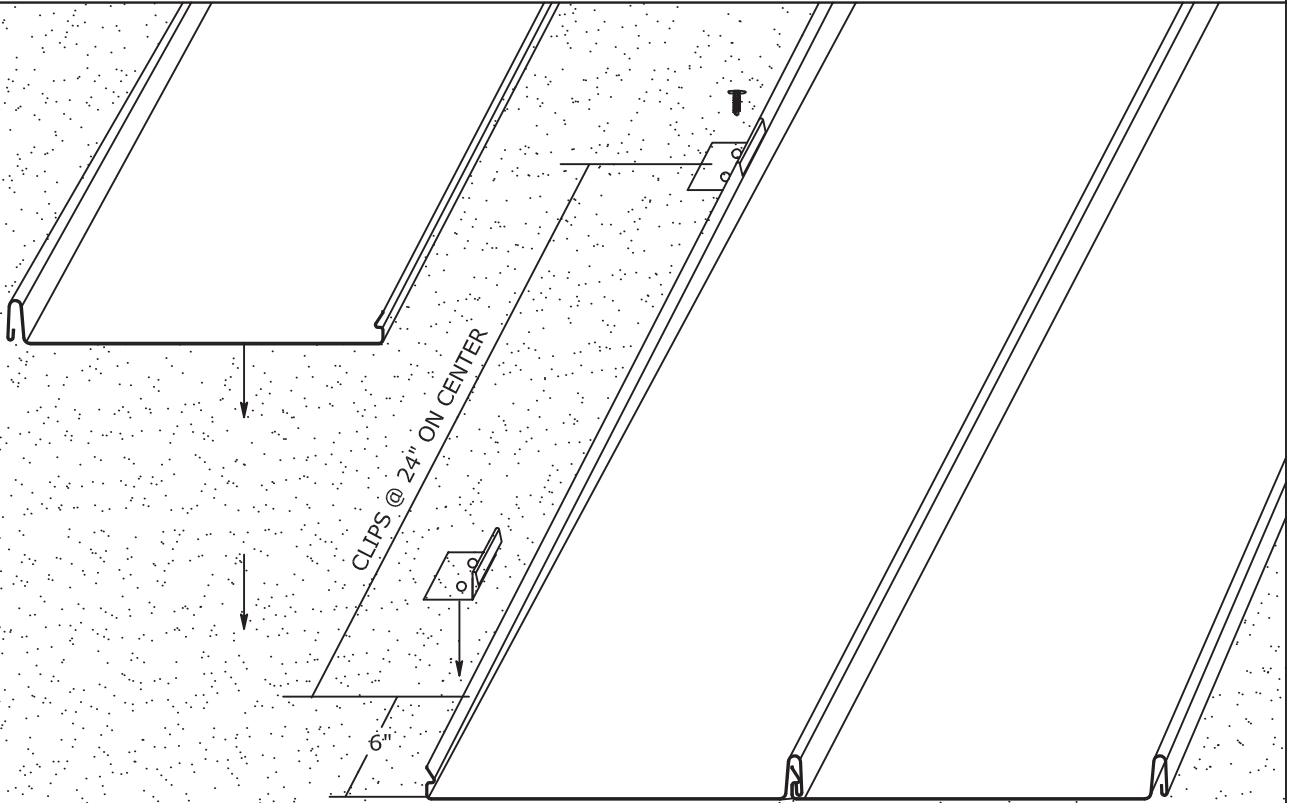
# SS-26

## STANDING SEAM 26 GAUGE



SOLID DECKING REQUIRED

30# FELT (MINIMUM)



CLIPS @ 24" ON CENTER

6"





## SS-26 STANDING SEAM PANEL



\*\* ONLY AVAILABLE WITH STRIATIONS \*\*

-INSTALLATION-

SS-26 IS INSTALLED ONLY OVER SOLID DECKING

- 1- THE FIRST PANEL IS PLACED ON THE ROOF AT THE DESIRED START POINT.
- 2- THE CLIP IS PLACED DIRECTLY BESIDE THE PANEL. THE TOP OF THE CLIP IS PLACED OVER THE MALE LEG OF THE SS-26 PANEL. THE FIRST CLIP IS PLACED 6" FROM THE EAVE. FROM THERE, THEY ARE PLACED EVERY 2' ON CENTER. EACH CLIP IS FASTENED WITH PAN-HEAD SCREWS.
- 3- THE NEXT PANEL IS PLACED ON THE ROOF AND THE PROCESS IS REPEATED.

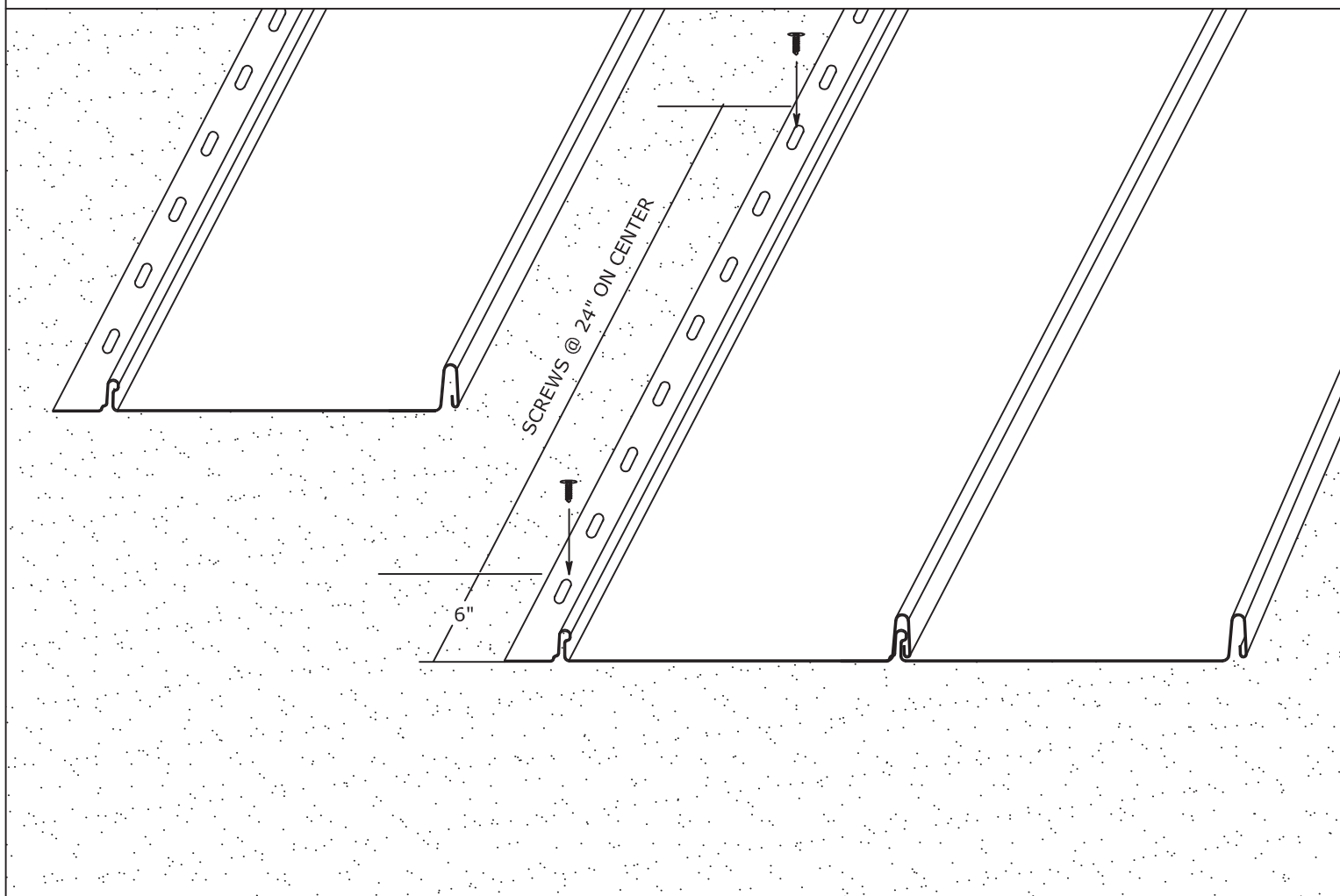
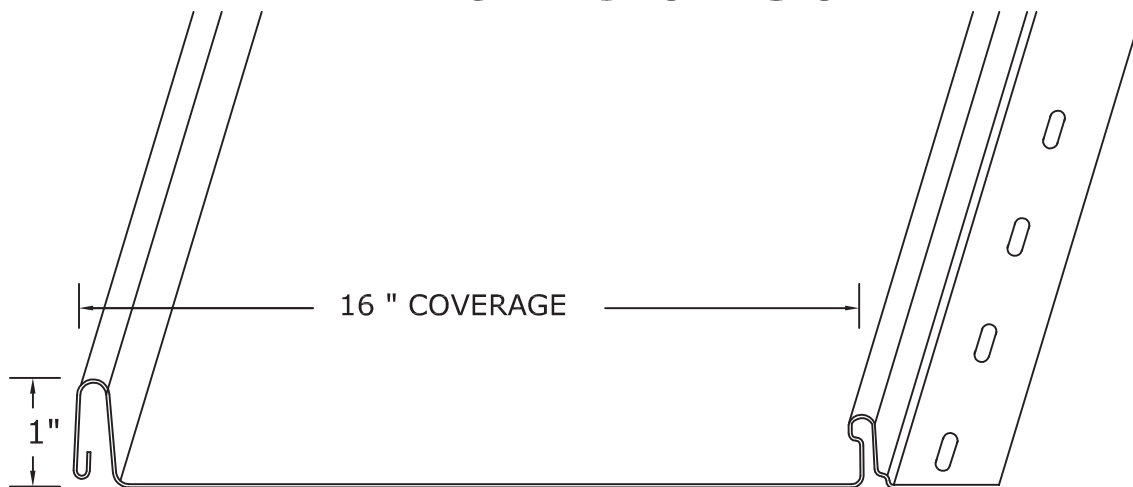
-NOTES-

- SOLID DECKING IS REQUIRED FOR THIS PANEL
- SS-26 IS AN INTEGRAL PANEL. IT IS A FASTER INSTALLATION WITHOUT BATTENS. IT CAN ONLY BE INSTALLED IN ONE DIRECTION.
- IT IS PROTECTED BY A SILICONIZED POLYESTER PAINT SYSTEM.
- SS-26 IS MANUFACTURED FROM 26 GAUGE STEEL.

# NCR PANEL

## NO CLIPS REQUIRED

### 24 & 26 GAUGE





## NCR PANEL



\*\* ONLY AVAILABLE WITH STRIATIONS \*\*

-INSTALLATION-

NCR PANELS ARE INSTALLED ONLY OVER SOLID DECKING

- 1- THE FIRST PANEL IS PLACED ON THE ROOF AT THE DESIRED START POINT.
- 2- A SCREW IS PLACED IN THE FLANGE OF THE PANEL AT 6" FROM THE EAVE. FROM THERE, A SCREW IS PLACED EVERY 2' ON CENTER.
- 3- THE NEXT PANEL IS PLACED ON THE ROOF WITH THE FEMALE LEG SNAPPING OVER THE MALE LEG.
- 4- WHEN INSTALLING, CARE MUST BE USED TO INSURE FASTENERS WILL ALLOW FOR THE EXPANSION AND CONTRACTION OF THE PANEL IN THE PROVIDED SLOTS.

-NOTES-

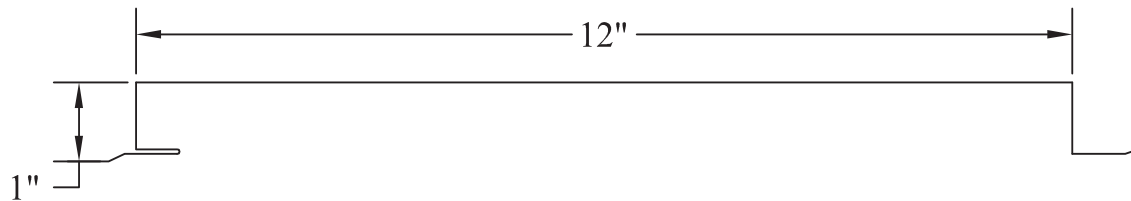
- SOLID DECKING IS REQUIRED FOR THIS PANEL
- NCR IS AN INTEGRAL PANEL. IT IS A FASTER INSTALLATION WITHOUT BATTENS. IT CAN ONLY BE INSTALLED IN ONE DIRECTION.
- IT IS PROTECTED BY A KYNAR 500/HYLAR 5000 PAINT SYSTEM OR A SILICONIZED POLYESTER PAINT SYSTEM.
- NCR IS MANUFACTURED FROM 24 OR 26 GAUGE STEEL.

24 GAUGE

# VS-12



12" COVERAGE

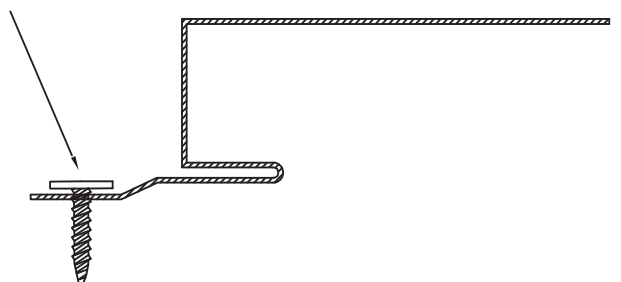


- AVAILABLE IN: 24 GAUGE KYNAR 500/HYLAR 5000
- SINGLE OR DOUBLE PERFORATIONS ARE AVAILABLE.
- STRIATIONS ARE ALSO AVAILABLE.



\*VENTED PANELS PROVIDE 3-1/2" OF NET FREE AIR SPACE PER LINEAR FOOT FOR EACH PERFORATION.

SCREWS SHOULD BE PLACED AS SHOWN.  
MAXIMUM SPAN IS 48" ON CENTER.

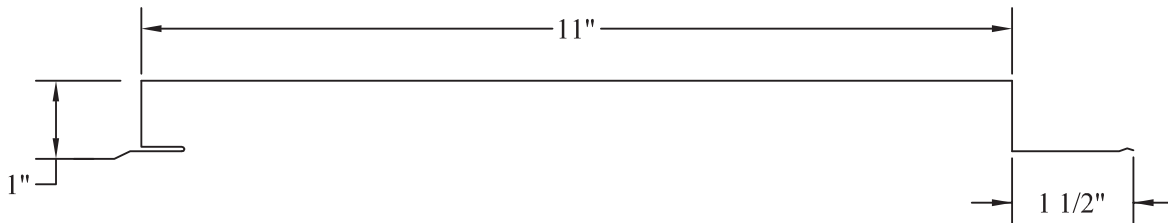




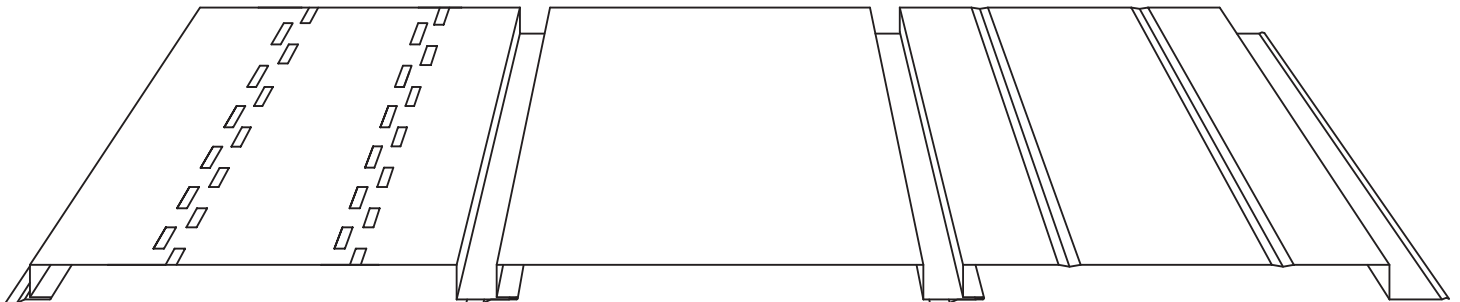
24 GAUGE

# VS-111

12" COVERAGE

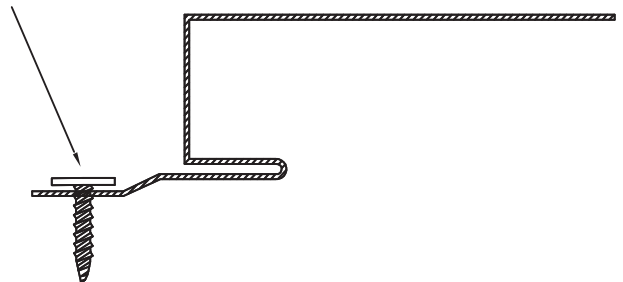


AVAILABLE IN: 24 GAUGE KYNAR 500/HYLAR 5000  
SINGLE OR DOUBLE PERFORATIONS ARE AVAILABLE.  
STRIATIONS ARE ALSO AVAILABLE.



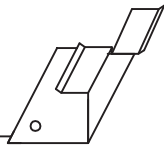
\*VENTED PANELS PROVIDE 3-1/2" OF NET FREE AIR SPACE PER LINEAR FOOT FOR EACH PERFORATION.

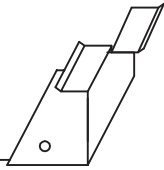
SCREWS SHOULD BE PLACED AS SHOWN.  
MAXIMUM SPAN IS 48" ON CENTER.

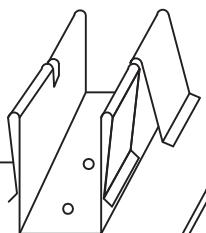





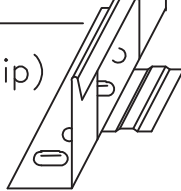
CLIPS FOR STANDING SEAM PANELS

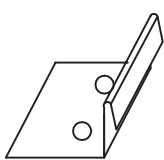

LT-100 \_\_\_\_\_   
(1 panhead screw per clip)

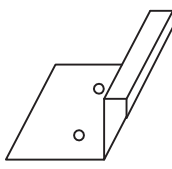
HT-150 \_\_\_\_\_   
(1 panhead screw per clip)

CLASSIC BATTEN \_\_\_\_\_   
(1 panhead screw per clip)

EZ-LOC (STANDARD) \_\_\_\_\_   
(1 panhead screw per clip)

EZ-LOC (UL) \_\_\_\_\_   
\*\*\* (2 panhead screws per clip)

SS-26 \_\_\_\_\_   
SS-24 \_\_\_\_\_   
(1 panhead screw per clip)

MS-16 \_\_\_\_\_   
(1 panhead screw per clip)

CLIPS ARE FASTENED WITH PAN HEAD SCREWS.

# HANDLING NOTES

- IMPROPER HANDLING OF LONG PANELS OR CRATES MAY RESULT IN DAMAGE TO THE PRODUCT.
- EXTREME CARE MUST BE TAKEN BY OPERATORS WHEN LOADING AND UNLOADING PANELS AND/OR CRATES. THE MATERIAL MUST REMAIN LEVEL AND SQUARE DURING HANDLING.
- COASTAL METAL SERVICE CAN NOT BE RESPONSIBLE FOR DAMAGE THAT OCCURS DURING IMPROPER LOADING AND HANDLING.

## STANDING SEAM PANELS

CRATE LENGTH	LIFTS REQUIRED
0 – 20'	1
20' – 40'	2
40'+	3

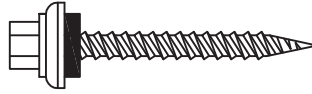


PO BOX 128, GOLDSBORO NC, 27533  
888-267-6153 TOLL FREE  
919-739-6153 OFF  
919-705-1097 FAX

# CMS FASTENER SELECTION



WOODGRIP™



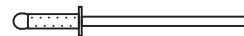
APPLICATION:	FASTENING METAL TO WOOD					
SIZE:	9-16 W/ 1/4" HEX WASHER HEAD 250/BAG					
STOCK LENGTHS:	GALVANIZED	1"	1.5"	2"	2.5"	3"
	26 GA. COLORS	1"	1.5"	2"	2.5"	
	24 GA. COLORS	1"	1.5"			

WOODMAC™  
(STAINLESS STEEL CAP)



APPLICATION:	FASTENING METAL TO WOOD			
SIZE:	9-15 W/ 1/4" HEX WASHER HEAD 250/BAG			
STOCK LENGTHS:	1"	1.5"	2.5"	

#44 POP RIVETS, 100/BAG



CMS POP RIVETS ARE STAINLESS STEEL	
AVAILABLE IN ALL CMS COLORS	
SIZE:	1/8" SHANK, 1/4" HEAD

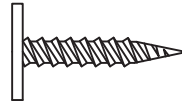
- \* New standards for pressure treated lumber require the use of special fasteners in order to protect against corrosion.
- \* ACQ Wood screws are available upon request.





# CMS FASTENER SELECTION

PAN-HEAD SCREWS FOR WOOD



250/BAG

ALL PAN HEADS ARE ACCEPTABLE TO BE USED WITH ACQ LUMBER

APPLICATION:	FASTENING PANEL CLIPS TO WOOD
SIZE:	10-13 W/ QUADREX/PHILLIPS HEAD
STOCK LENGTHS:	1" ONLY

PAN-HEAD SCREWS FOR METAL



SELF DRILLING TIP  
250/BAG

APPLICATION:	FASTENING PANEL CLIPS TO METAL
SIZE:	10-16 W/ QUADREX/PHILLIPS HEAD
STOCK LENGTHS:	1" ONLY

PAN-HEAD SCREWS FOR WOOD  
ULTRA LOW PROFILE



250/BAG

APPLICATION:	FASTENING PANEL CLIPS TO WOOD
SIZE:	10-9 W/ QUADREX/PHILLIPS HEAD
STOCK LENGTHS:	1" ONLY

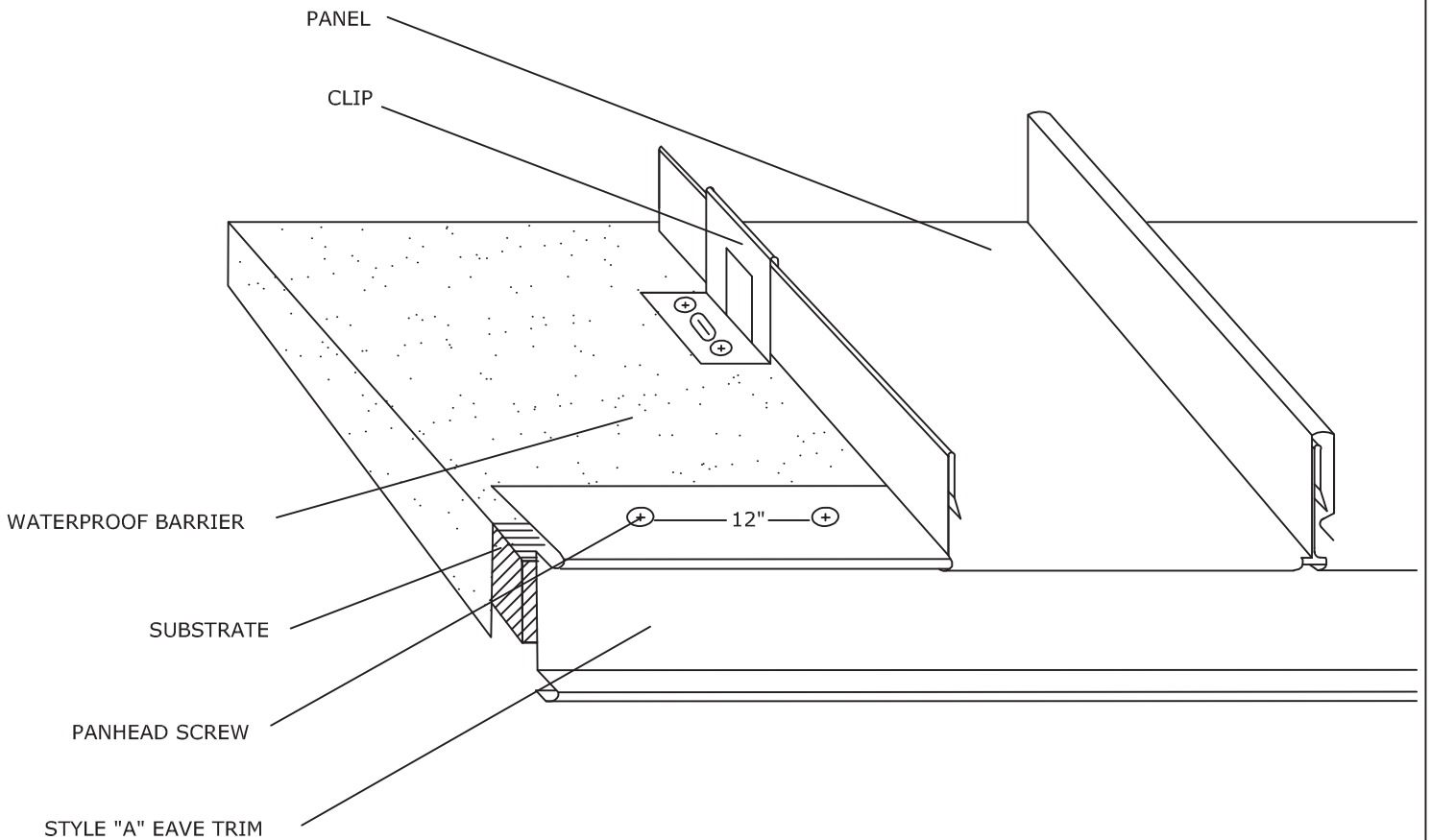
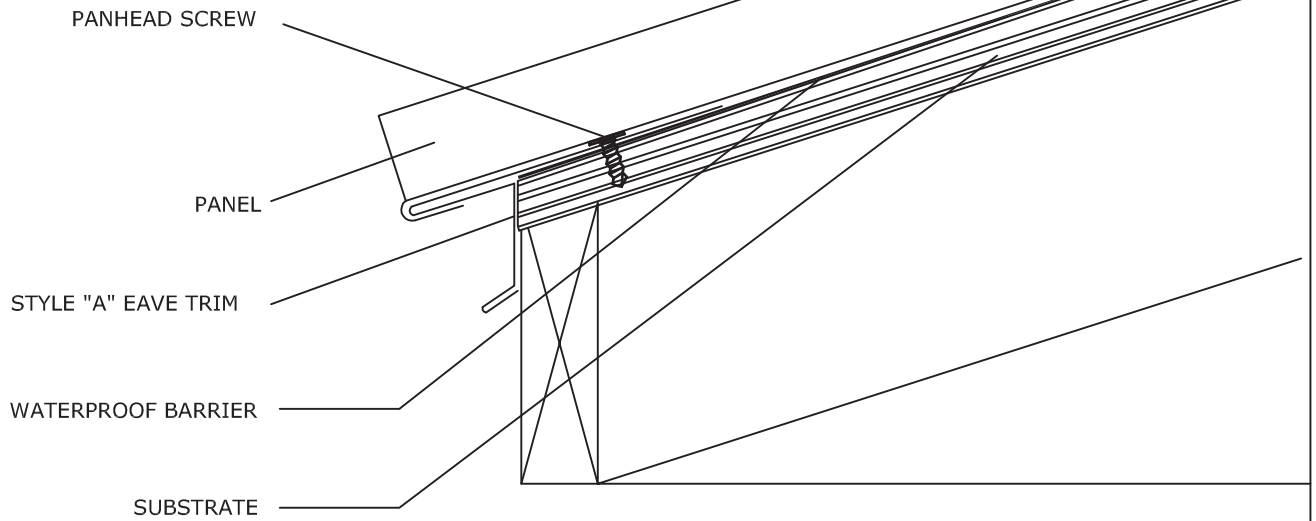
PAN-HEAD SCREWS FOR WOOD  
(STAINLESS STEEL)  
ULTRA LOW PROFILE



250/BAG

APPLICATION:	FASTENING PANEL CLIPS TO WOOD
	FOR USE WITH COPPER AND ALUMINUM PANELS
SIZE:	10-9 W/ QUADREX/PHILLIPS HEAD
STOCK LENGTHS:	1" ONLY

# STYLE "A" EAVE TRIM

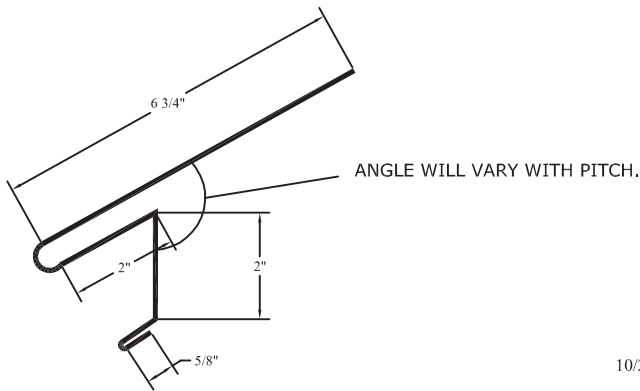




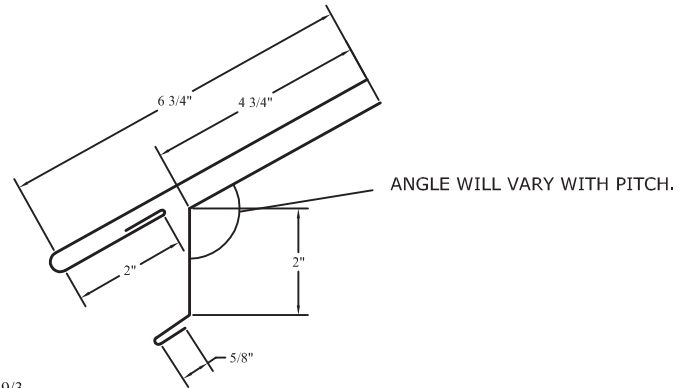
**\*\* (1) PIECE EAVE TRIM \*\***

**\*\* (2) PIECE EAVE TRIM \*\***

STANDARD DIMENSIONS



13/4



10/2 & 9/3

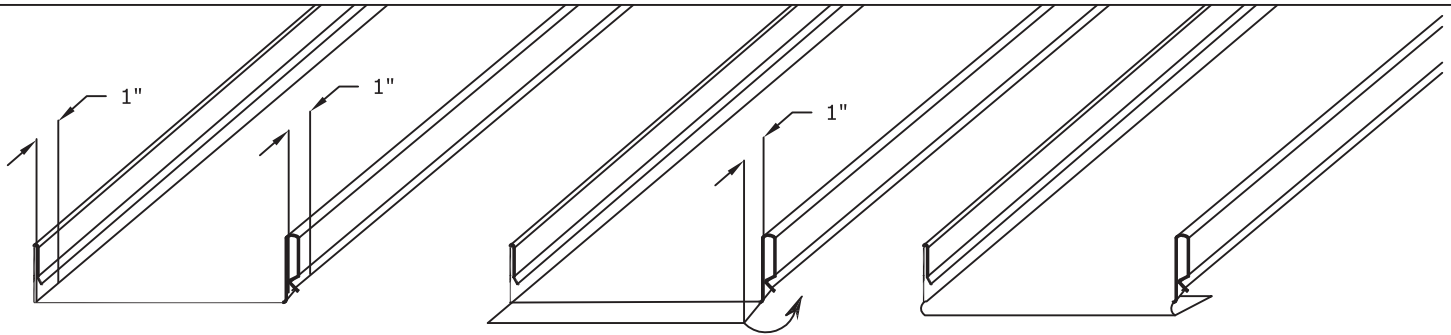
**\*\*FOR PITCHES GREATER THAN 6/12, STYLE A EAVE TRIM WILL BE MADE IN (2) PIECES.\*\***

**-INSTALLATION-**

**-INSTALLATION-** EAVE TRIM IS GENERALLY THE FIRST COMPONENT TO BE INSTALLED ON A ROOF.

- 1- THE EAVE TRIM WILL BE APPLIED AT EAVE OF ALL ROOF SECTIONS.
- 2- THE TRIM IS PLACED ON THE EAVE AND ATTACHED TO THE DECK WITH PAN-HEAD SCREWS PLACED @ 12" ON CENTER.
- 3- THE VERTICAL LEGS OF THE PANEL WILL BE TRIMMED BACK 1". THE REMAINING 1" OF THE PAN WILL BE FOLDED UNDERNEATH THE PANEL TO PROVIDE ATTACHMENT TO THE STYLE "A" EAVE TRIM.
- 4- THE PANEL WILL BE ATTACHED TO THE STYLE "A" EAVE TRIM AND SECURED TO THE ROOF.

**\*\*PLEASE CALL FOR INSTALLATION RECOMMENDATIONS FOR 2-PIECE EAVE TRIM.\*\***



TRIM 1" FROM SEAMS

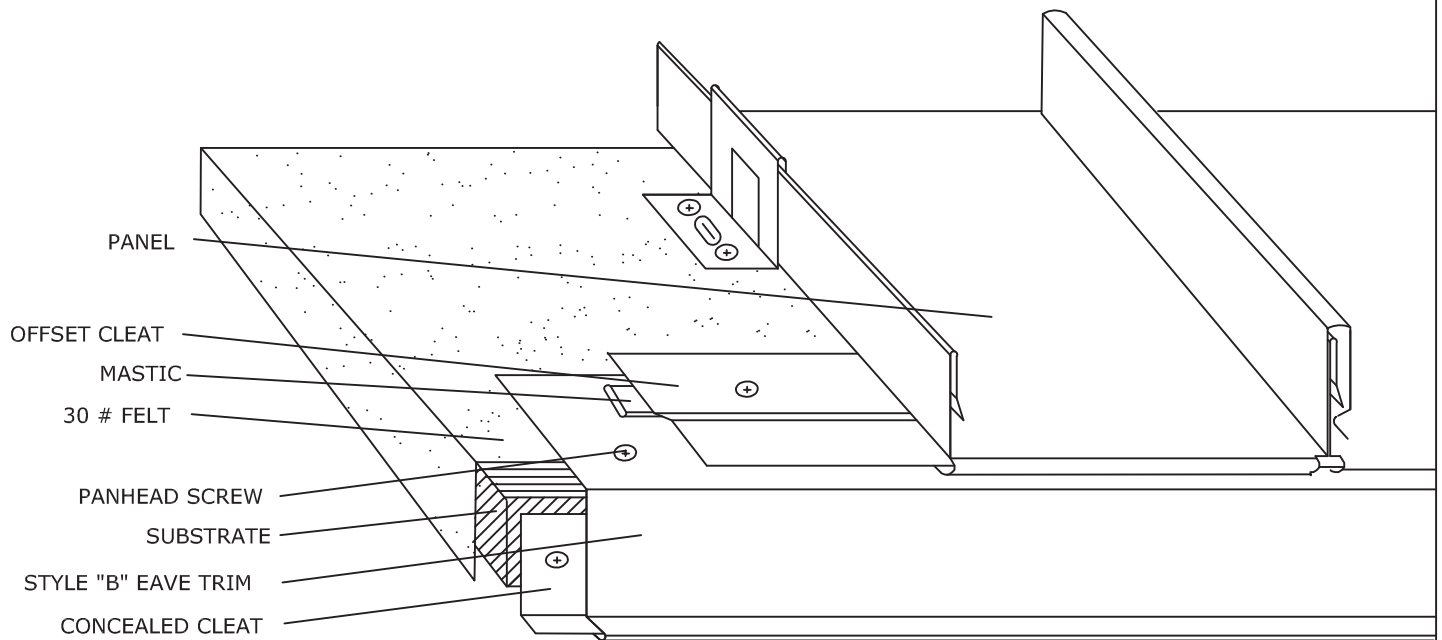
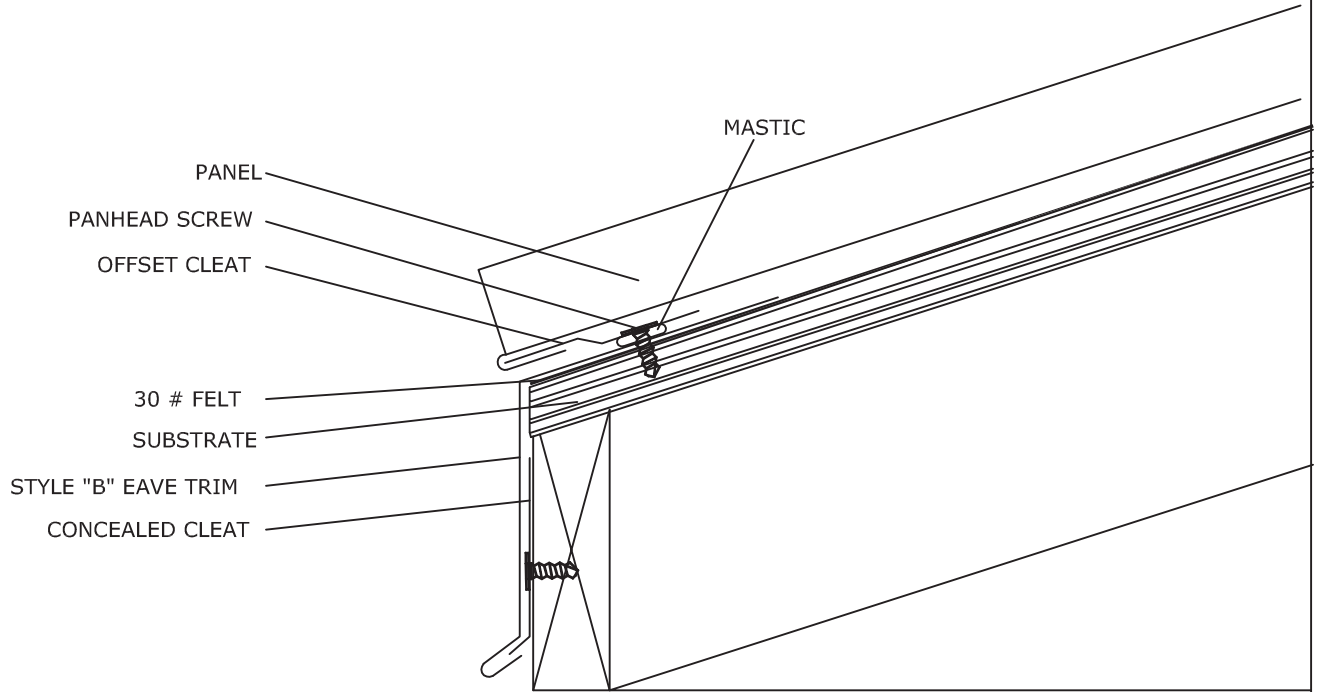
FOLD FLAP UNDERNEATH PANEL

ATTACH TO EAVE TRIM

**-NOTES-**

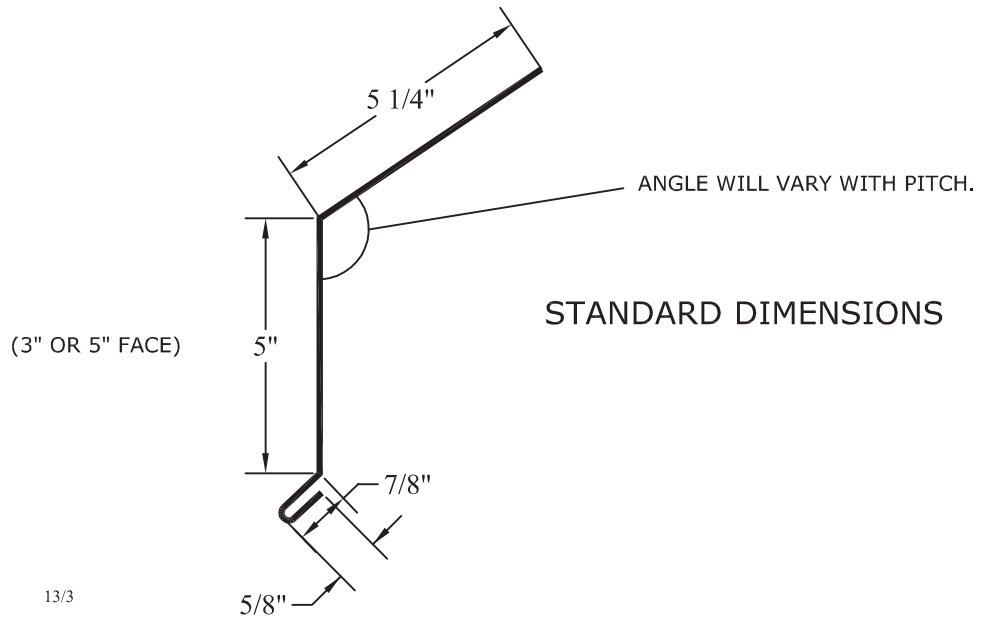
- 3" MUST BE ADDED TO PANEL LENGTH FOR STYLE "A" EAVE TRIM
- THE PITCH OF THE ROOF MUST BE INDICATED FOR PROPER FIT OF STYLE "A" EAVE TRIM

# STYLE "B" EAVE TRIM





### CMS STYLE "B" EAVE TRIM TECHNICAL INFORMATION



ASSOCIATED ITEMS:

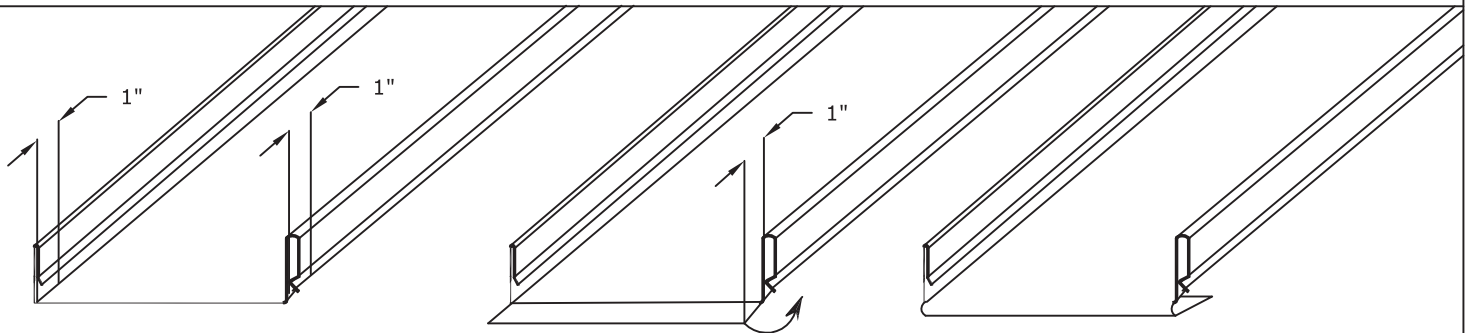
- OFFSET CLEAT
- CONCEALED CLEAT

13/3

**-INSTALLATION-**

-INSTALLATION- EAVE TRIM IS GENERALLY THE FIRST COMPONENT TO BE INSTALLED ON A ROOF.

- 1- THE CONCEALED CLEAT IS APPLIED ON THE FASCIA OF THE EAVES.
- 2- THE STYLE "B" EAVE TRIM IS ATTACHED TO THE CONCEALED CLEAT, AND FASTENED TO THE DECK WITH PAN HEAD SCREWS @ 12" ON CENTER.
- 3- THE OFFSET CLEAT IS APPLIED ON TOP OF THE STYLE "B" EAVE TRIM. THE BOTTOM EDGE OF THE CLEAT SHOULD BE FLUSH WITH THE ROOF'S EDGE. MASTIC IS APPLIED BENEATH ALL OFFSET CLEATS.
- 4- THE VERTICAL LEGS OF THE PANEL WILL BE TRIMMED BACK 1". THE REMAINING 1" OF THE PAN WILL BE FOLDED UNDERNEATH THE PANEL TO PROVIDE ATTACHMENT TO THE OFFSET CLEAT.
- 5- THE PANEL WILL BE ATTACHED TO THE OFFSET CLEAT AND SECURED TO THE ROOF.

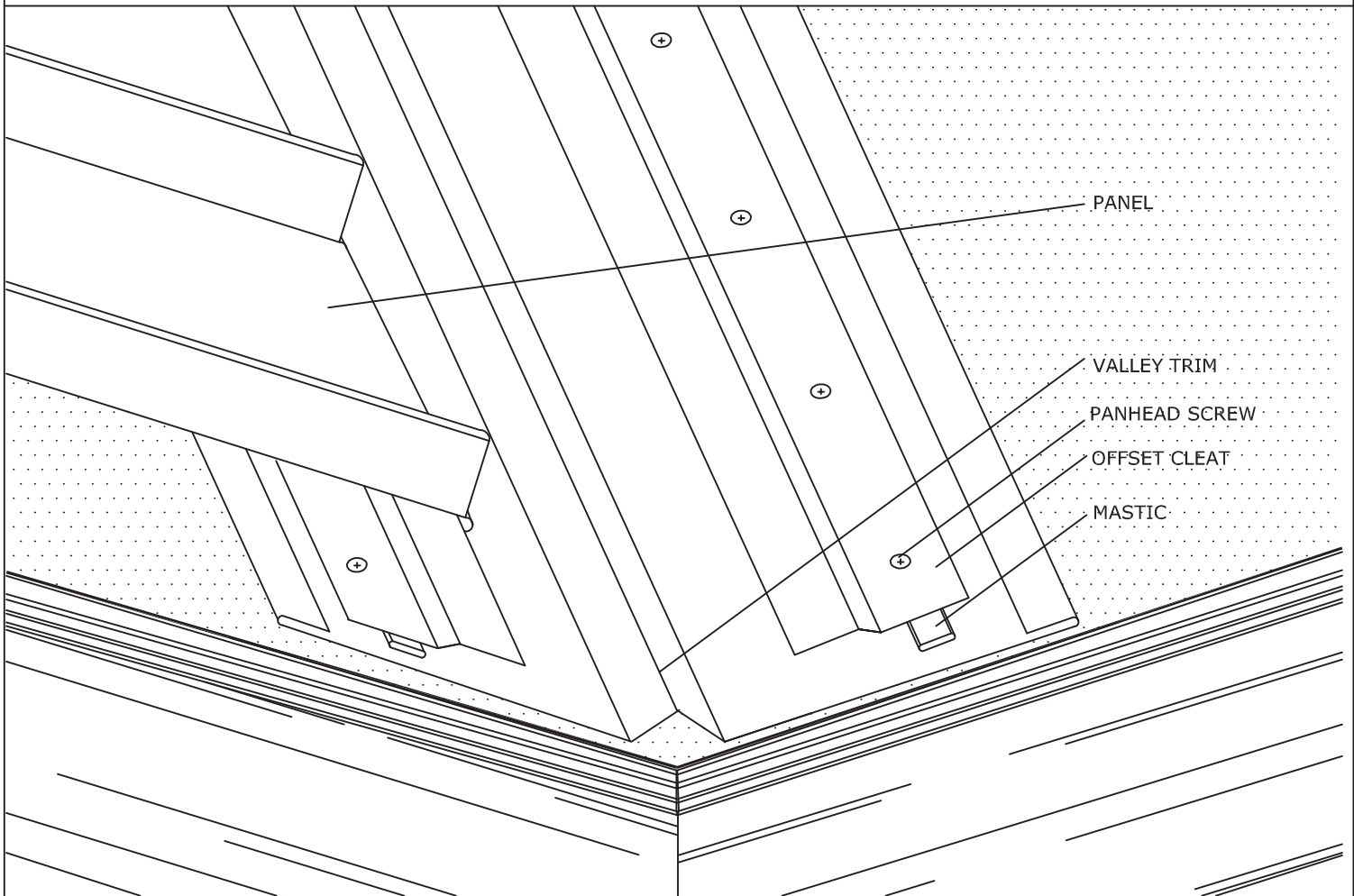
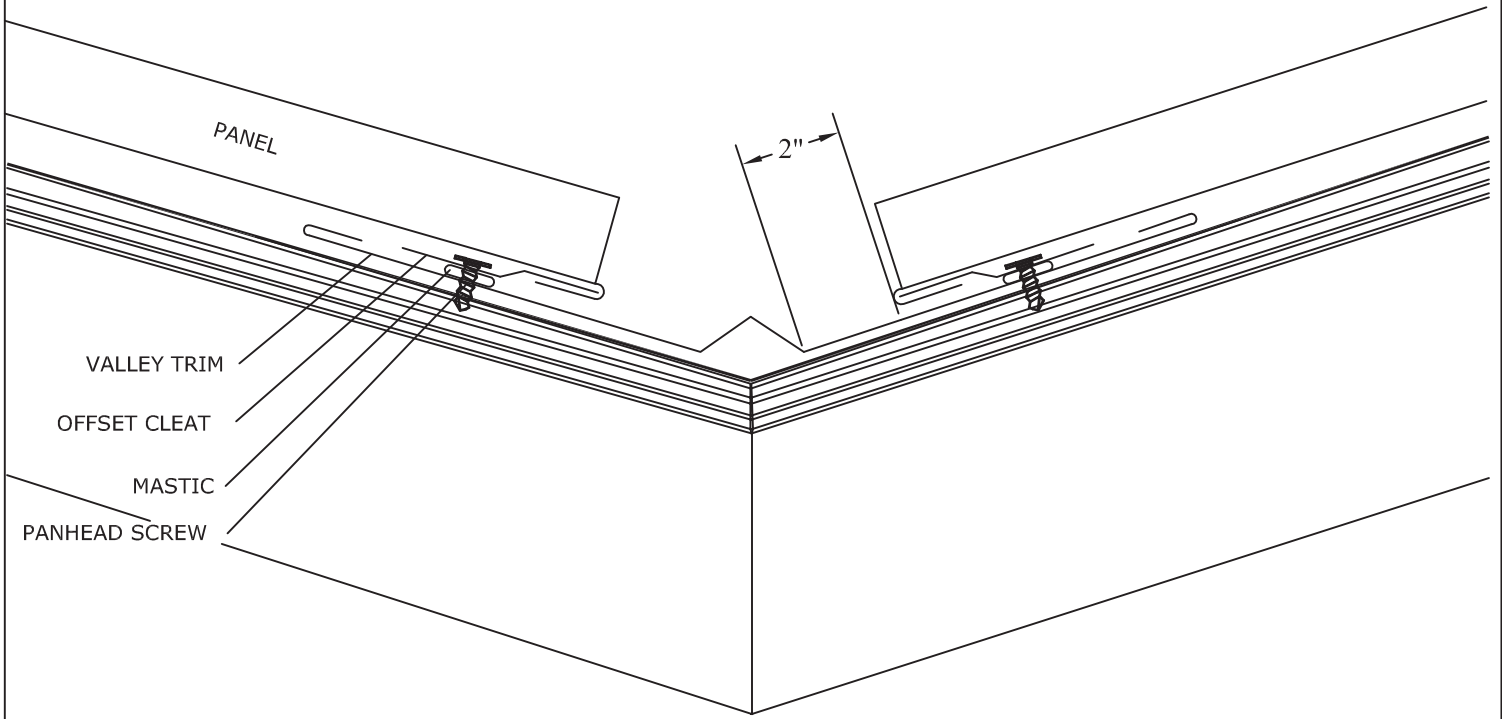


TRIM 1" FROM SEAMS

FOLD FLAP UNDERNEATH PANEL

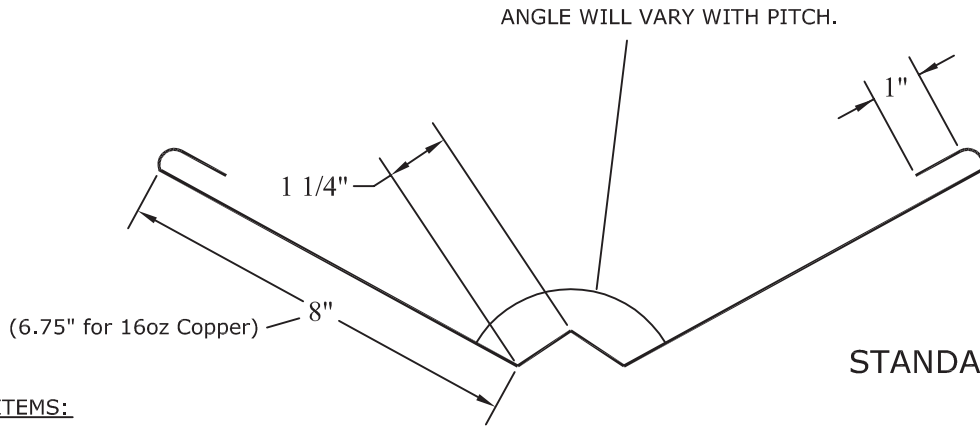
ATTACH TO OFFSET CLEAT

# VALLEY TRIM





### CMS VALLEY TRIM TECHNICAL INFORMATION



### STANDARD DIMENSIONS

**ASSOCIATED ITEMS:**

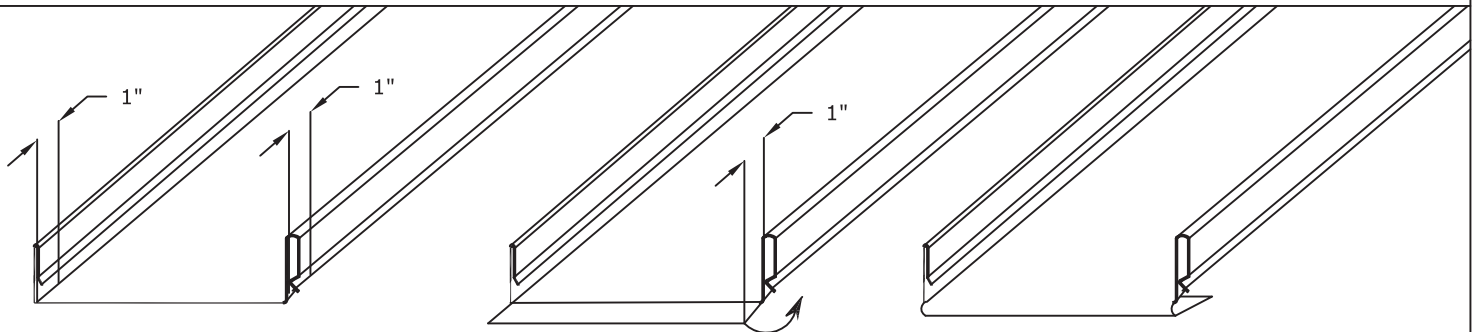
OFFSET CLEAT  
(2 PER VALLEY)

21/5

**-INSTALLATION-**

VALLEY TRIM IS INSTALLED AFTER THE EAVE TRIM IS APPLIED AND BEFORE THE PANELS ARE INSTALLED.

- 1- VALLEY TRIM IS PLACED IN THE VALLEY OF THE ROOF.
- 2- OFFSET CLEAT IS THEN APPLIED TO BOTH SIDES OF THE VALLEY TRIM. THE BOTTOM OF THE CLEAT MUST BE 2" FROM THE CREASE IN THE "WING" OF THE TRIM AS INDICATED IN THE DETAIL. MASTIC MUST BE APPLIED BENEATH THE OFFSET CLEAT. IT IS THEN FASTENED TO THE ROOF WITH PAN HEAD SCREWS @ 12" ON CENTER.
- 3- AFTER THE VALLEY AND OFFSET CLEATS ARE APPLIED, THE PANELS CAN BE INSTALLED.
- 4- THE VERTICAL LEGS OF THE PANEL WILL BE TRIMMED BACK 1". THE REMAINING 1" OF THE PAN WILL BE FOLDED UNDERNEATH THE PANEL TO PROVIDE ATTACHMENT TO THE OFFSET CLEAT.
- 5- THE PANEL WILL BE ATTACHED TO THE OFFSET CLEAT AND SECURED TO THE ROOF.



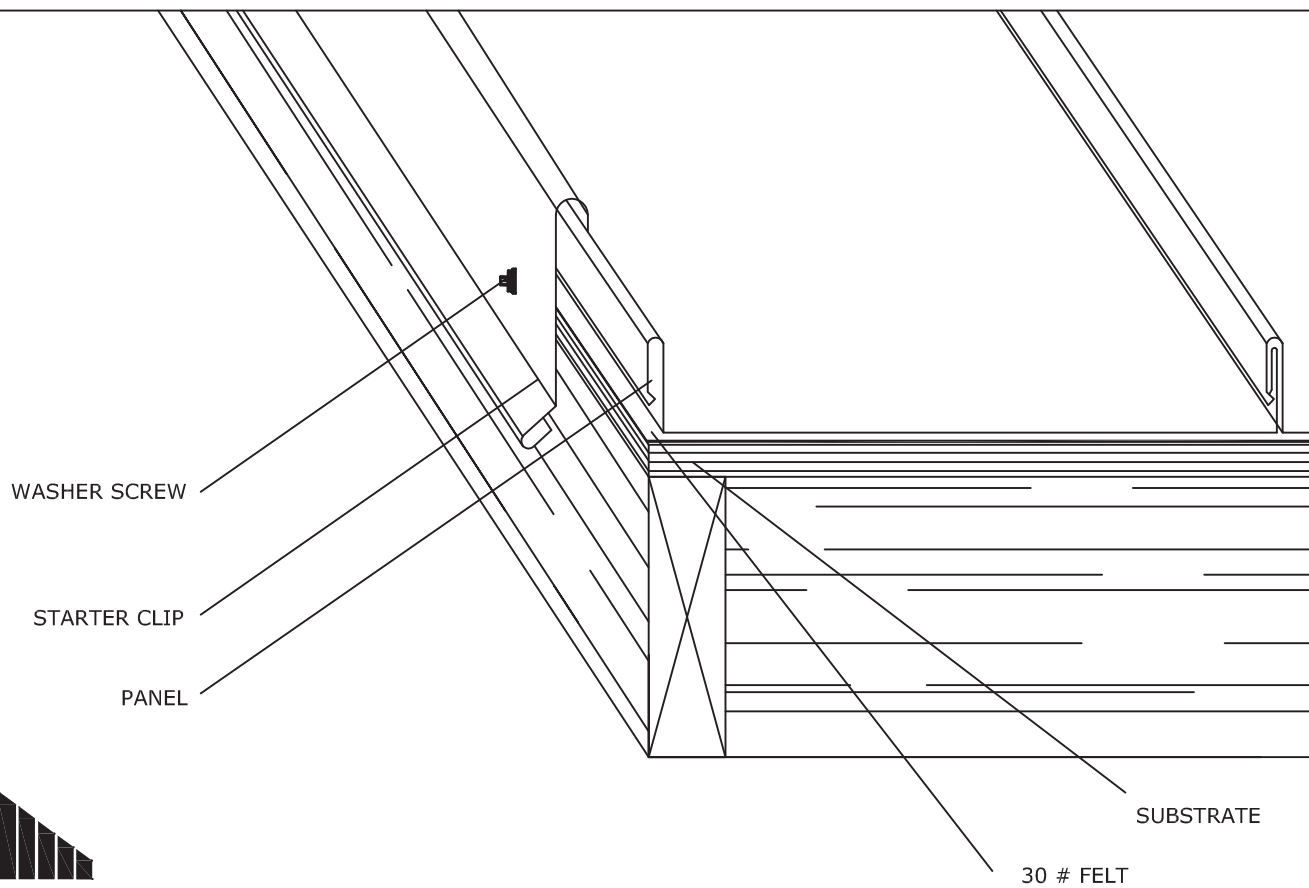
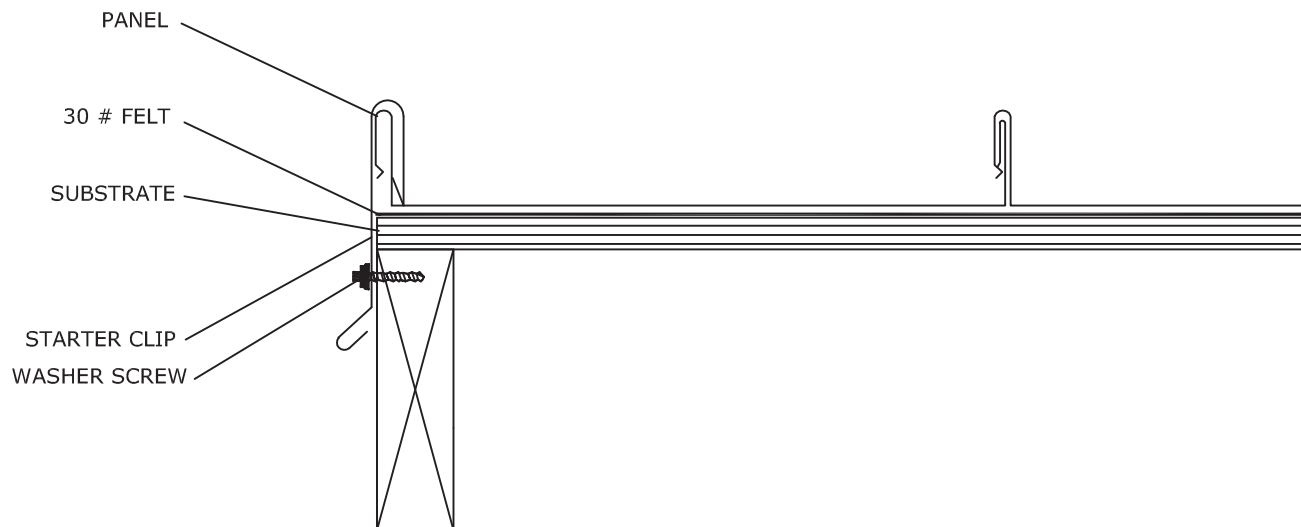
TRIM 1" FROM SEAMS

FOLD FLAP UNDERNEATH PANEL

ATTACH TO OFFSET CLEAT

# STARTER CLIP

FOR EZ-LOC

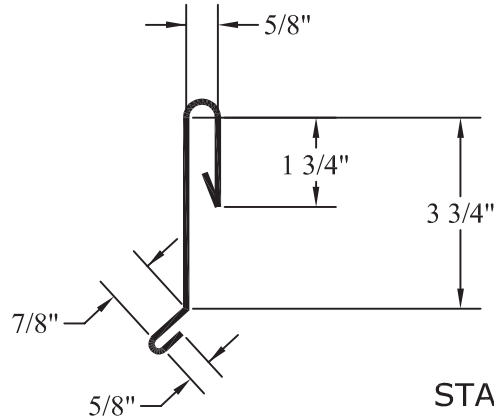


PO BOX 128, GOLDSBORO NC, 27533  
888-267-6153 TOLL FREE  
919-739-6153 OFF  
919-705-1097 FAX





## STARTER CLIP TECHNICAL INFORMATION



STANDARD DIMENSIONS

8/4

### -INSTALLATION-

CMS STARTER CLIP IS APPLIED AFTER THE PANELS HAVE BEEN INSTALLED.

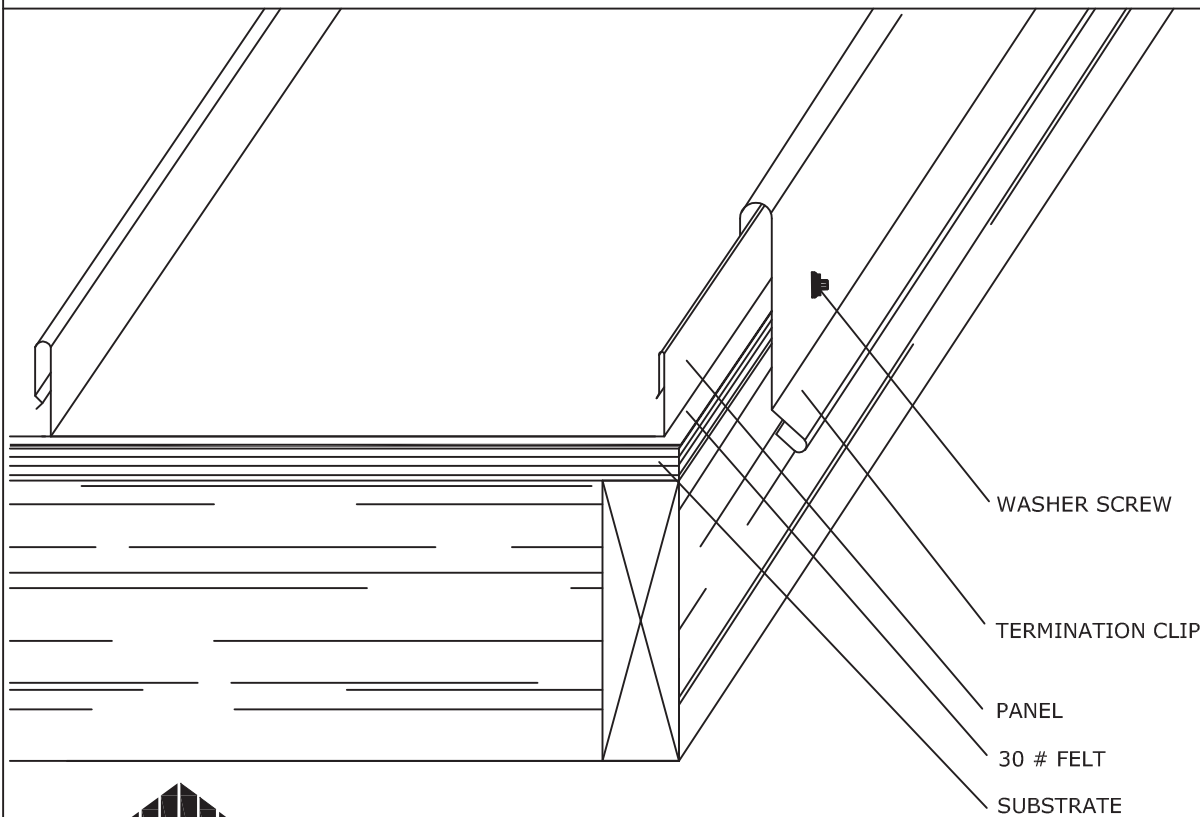
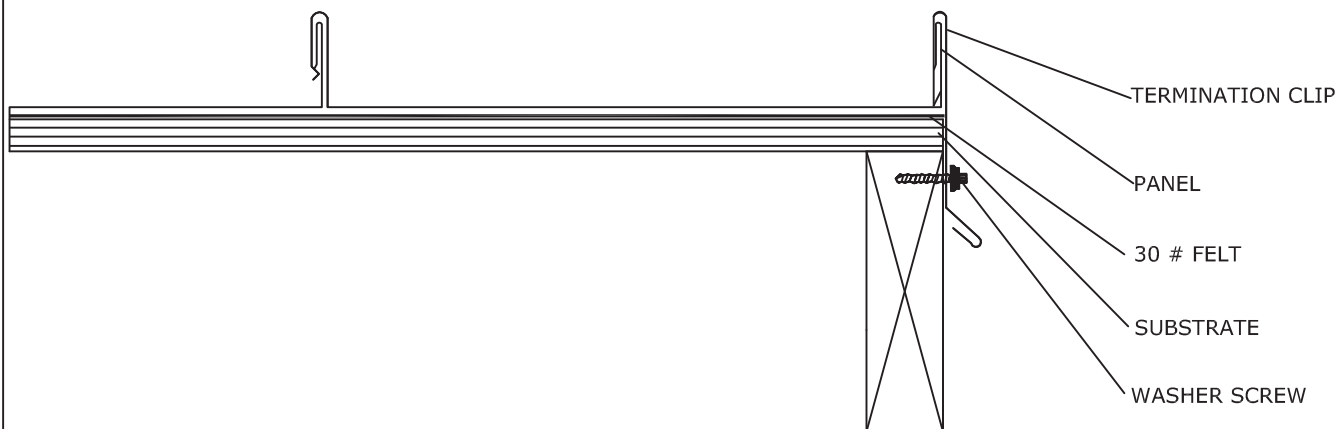
- 1- STARTER CLIP IS APPLIED TO THE FEMALE LEG OF THE EZ-LOC PANEL.
- 2- THE FEMALE LEG OF THE EZ-LOC PANEL WILL BE LOCATED AT THE RAKE EDGE OF THE ROOF WHERE THE INSTALLATION OF THE PANELS STARTED. (THE CLIP IS MADE TO FIT OVER THE FEMALE LEG.)
- 3- SNAP THE STARTER CLIP OVER THE LEG OF THE PANEL AND PRESS DOWN UNTIL IT STOPS.
- 4- ATTACH TO RAKE WITH WASHER HEAD SCREW @ 2' O.C.

### -NOTES-

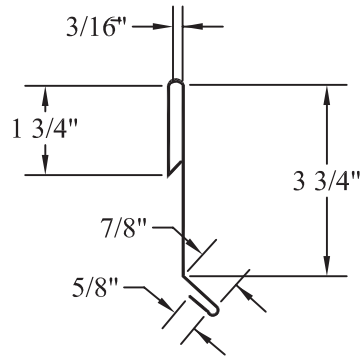
- THIS IS A FAST, EASY INSTALLATION FOR RAKE TRIM. THE TRIM IS LESS BULKY THAN MOST DETAILS FOR RAKE TRIM AND IT IS VERY POPULAR FOR RESIDENTIAL APPLICATIONS.
- STARTER CLIP IS THE STANDARD DETAIL FOR EZ-LOC, BUT IT CAN BE USED ON ANY STANDING SEAM PANEL.
- THIS DETAIL ALLOWS THERMAL MOVEMENT IN THE PANEL BECAUSE IT DOES NOT PIN THE PANEL TO THE ROOF.

# TERMINATION CLIP

FOR EZ-LOC



PO BOX 128, GOLDSBORO NC, 27533  
888-267-6153 TOLL FREE  
919-739-6153 OFF  
919-705-1097 FAX



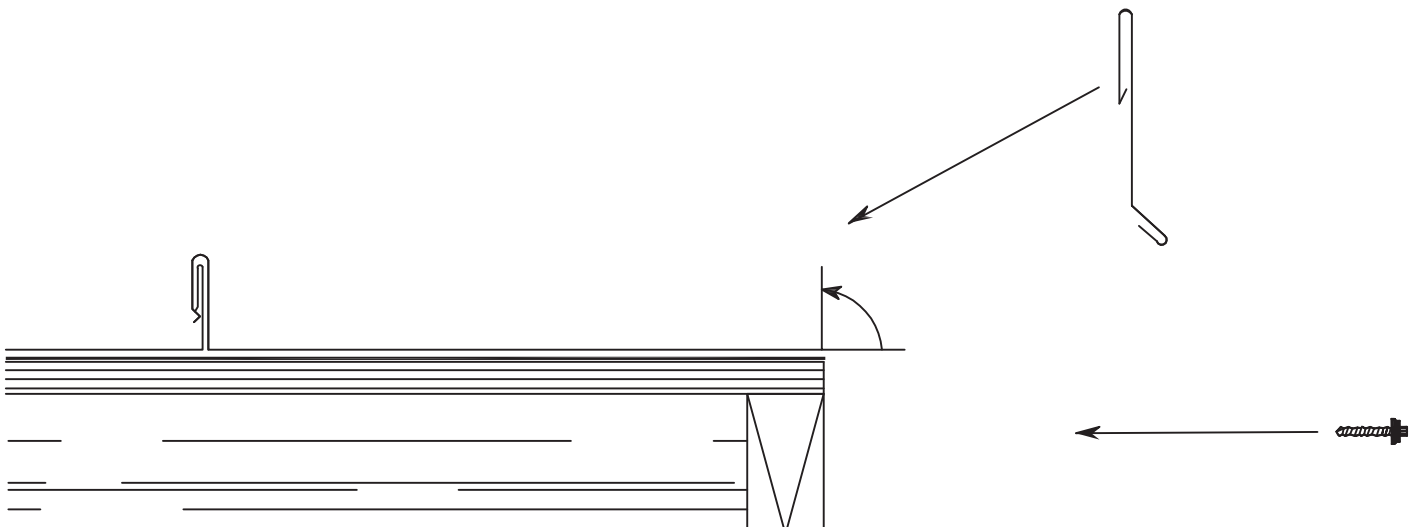
8/4

## STANDARD DIMENSIONS

## -INSTALLATION-

TERMINATION CLIP IS APPLIED AFTER THE PANELS HAVE BEEN INSTALLED.

- 1- TERMINATION CLIP IS APPLIED TO THE MALE LEG OF THE EZ-LOC PANEL.
- 2- THE MALE LEG OF THE EZ-LOC PANEL WILL BE LOCATED AT THE RAKE EDGE OF THE ROOF WHERE THE PANELS ARE TERMINATED. (THE CLIP IS MADE TO FIT ONTO THE MALE LEG.)
- 3- SNAP THE TERMINATION CLIP OVER THE MALE LEG OF THE PANEL AND PRESS DOWN UNTIL IT STOPS.
- 4- ATTACH TO RAKE WITH WASHER HEAD SCREW @ 2' O.C.
- 5- MOST OF THE TIME, YOU WILL HAVE A PARTIAL PANEL ON THE RAKE OF THE TERMINATION SIDE.
- 6- SIMPLY CUT THE PANEL 1 5/8" PAST THE EDGE OF THE ROOF. TURN THIS 1 5/8" UP 90 DEGREES AND SNAP THE TERMINATION CLIP OVER THE PART YOU TURNED UP AND PRESS DOWN UNTIL IT STOPS.

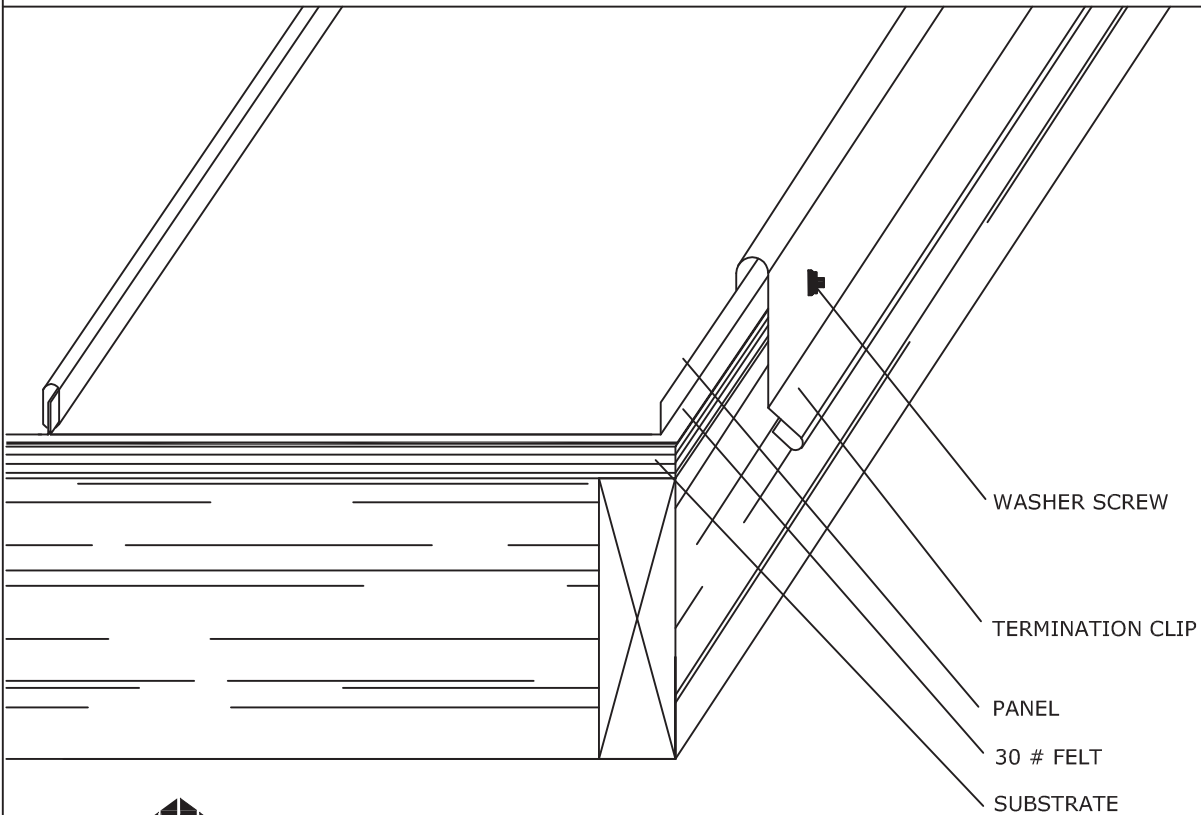
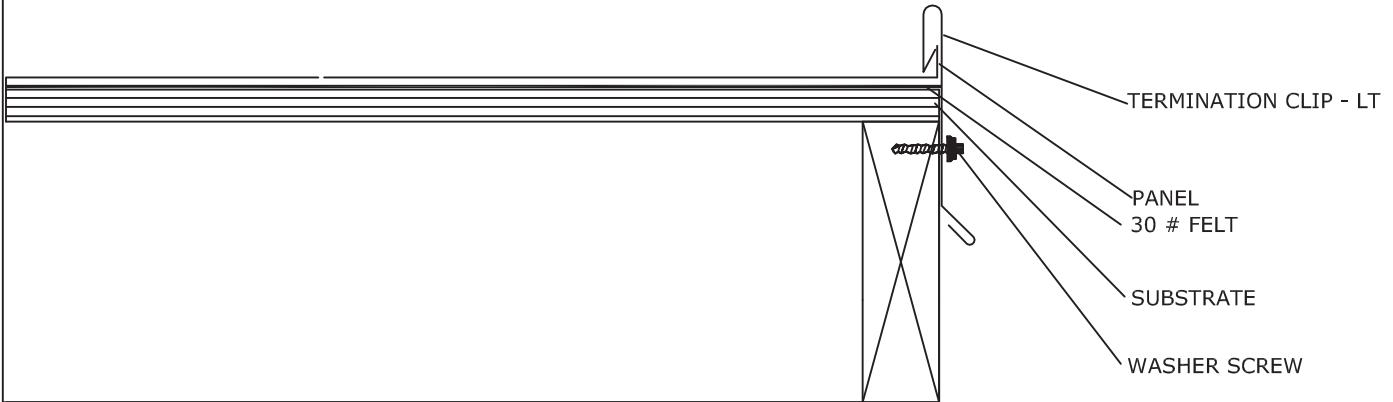


## -NOTES-

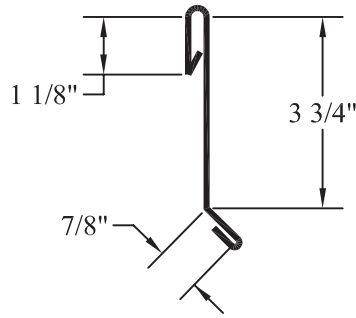
- THIS IS A FAST, EASY INSTALLATION FOR RAKE TRIM. THE TRIM IS LESS BULKY THAN MOST DETAILS FOR RAKE TRIM AND IT IS VERY POPULAR FOR RESIDENTIAL APPLICATIONS.
  - TERMINATION IS THE STANDARD DETAIL FOR EZ-LOC, BUT IT CAN BE USED ON ANY STANDING SEAM PANEL.
  - IT CAN ALSO BE APPLIED USING A CONCEALED CLEAT FOR APPLICATION WITHOUT SCREWS.
- THIS DETAIL ALLOWS THERMAL MOVEMENT IN THE PANEL BECAUSE IT DOES NOT PIN THE PANEL TO THE ROOF.

# TERMINATION CLIP - LT

DESIGNED SPECIFICALLY FOR LT-100 PANELS



PO BOX 128, GOLDSBORO NC, 27533  
888-267-6153 TOLL FREE  
919-739-6153 OFF  
919-705-1097 FAX



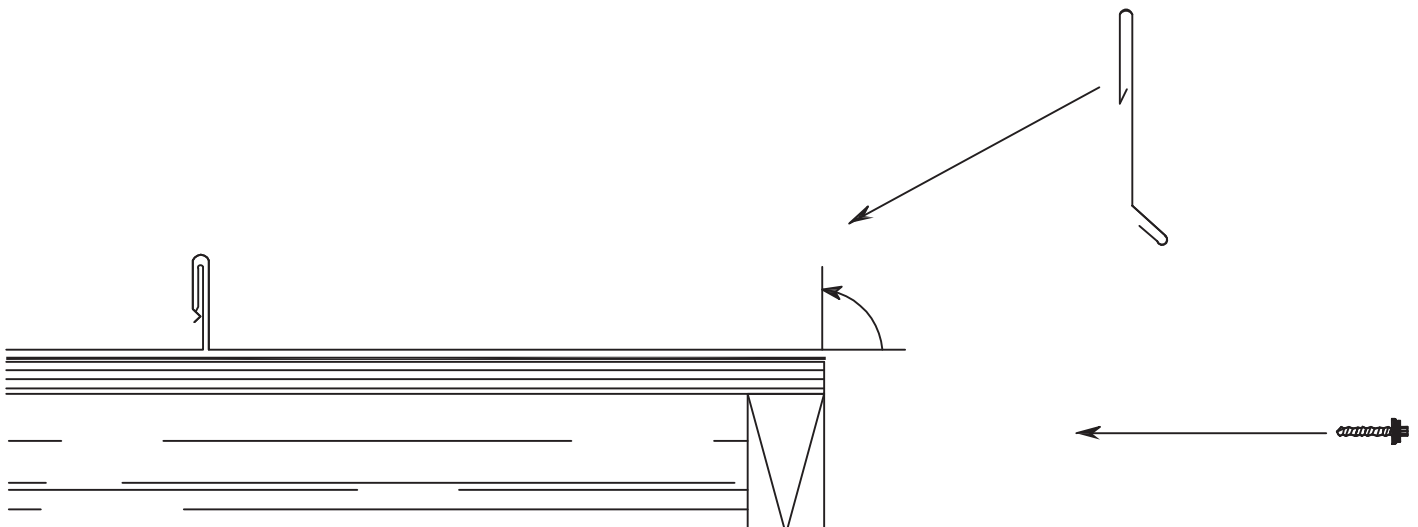
7/4

STANDARD DIMENSIONS

-INSTALLATION-

TERMINATION CLIP IS APPLIED AFTER THE PANELS HAVE BEEN INSTALLED.

- 1- TERMINATION CLIP - LT IS THE RAKE DETAIL FOR LT-100 PANELS.
- 2- THE CLIP WILL BE APPLIED TO THE VERTICAL LEG OF THE PANEL AT THE RAKE EDGE.
- 3- SNAP THE TERMINATION CLIP OVER THE LEG OF THE PANEL AND PRESS DOWN UNTIL IT STOPS.
- 4- ATTACH TO RAKE WITH WASHER HEAD SCREW @ 2' O.C.
- 5- MOST OF THE TIME, YOU WILL HAVE A PARTIAL PANEL ON THE RAKE OF THE TERMINATION SIDE.
- 6- SIMPLY CUT THE PANEL 5/8" PAST THE EDGE OF THE ROOF. TURN THIS 5/8" UP 90 DEGREES AND SNAP THE TERMINATION CLIP OVER THE PART YOU TURNED UP AND PRESS DOWN UNTIL IT STOPS.

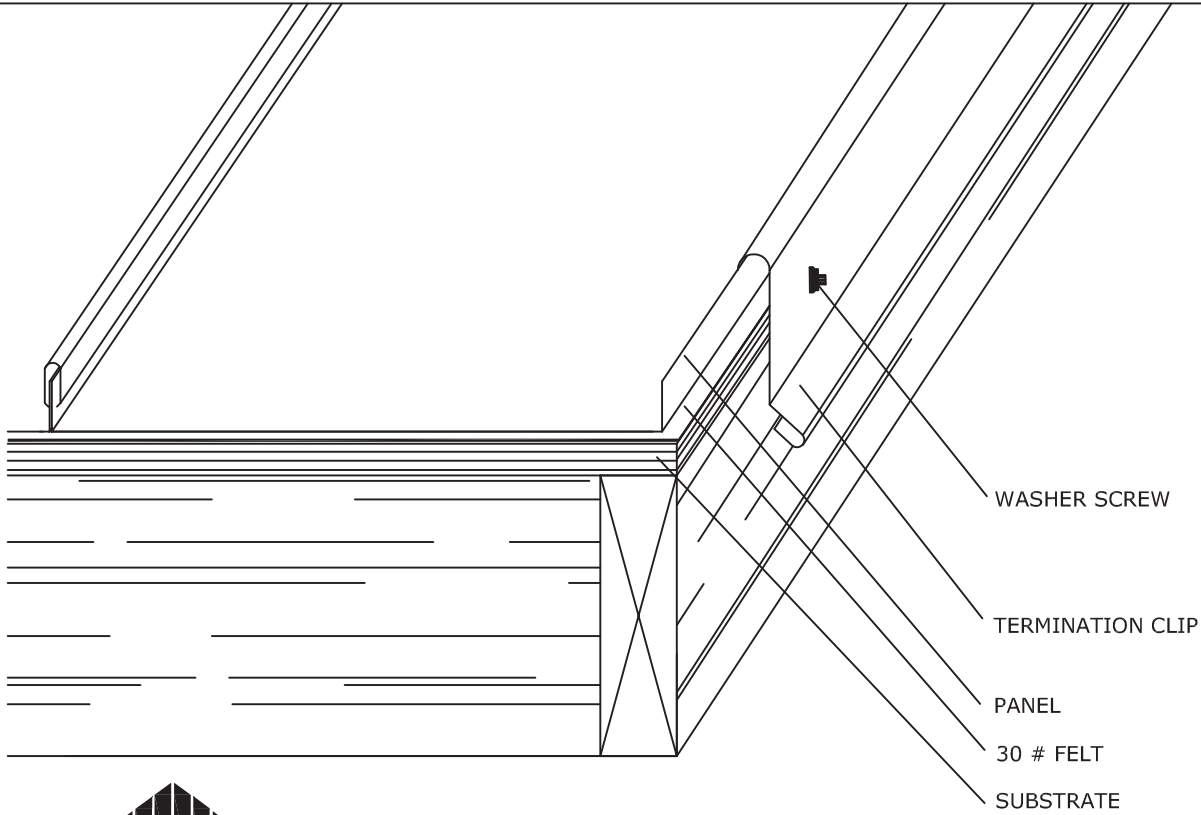
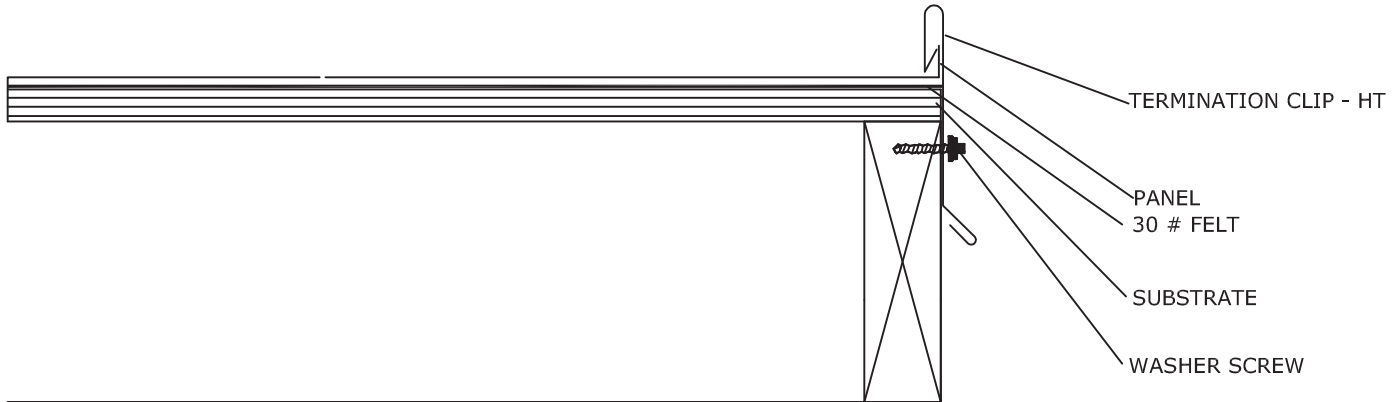


-NOTES-

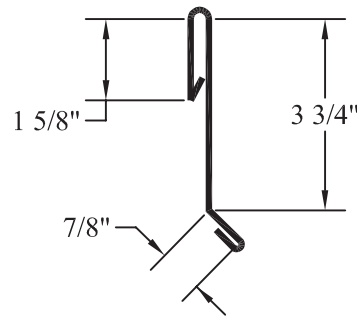
- THIS IS A FAST, EASY INSTALLATION FOR RAKE TRIM. THE TRIM IS LESS BULKY THAN MOST DETAILS FOR RAKE TRIM AND IT IS VERY POPULAR FOR RESIDENTIAL APPLICATIONS.
- THIS DETAIL IS SPECIFICALLY FOR THE LT-100 PANEL.
- IT CAN ALSO BE APPLIED USING A CONCEALED CLEAT FOR APPLICATION WITHOUT SCREWS.
- THIS DETAIL ALLOWS THERMAL MOVEMENT IN THE PANEL BECAUSE IT DOES NOT PIN THE PANEL TO THE ROOF.

# TERMINATION CLIP - HT

DESIGNED SPECIFICALLY FOR HT-150 PANELS



PO BOX 128, GOLDSBORO NC, 27533  
888-267-6153 TOLL FREE  
919-739-6153 OFF  
919-705-1097 FAX



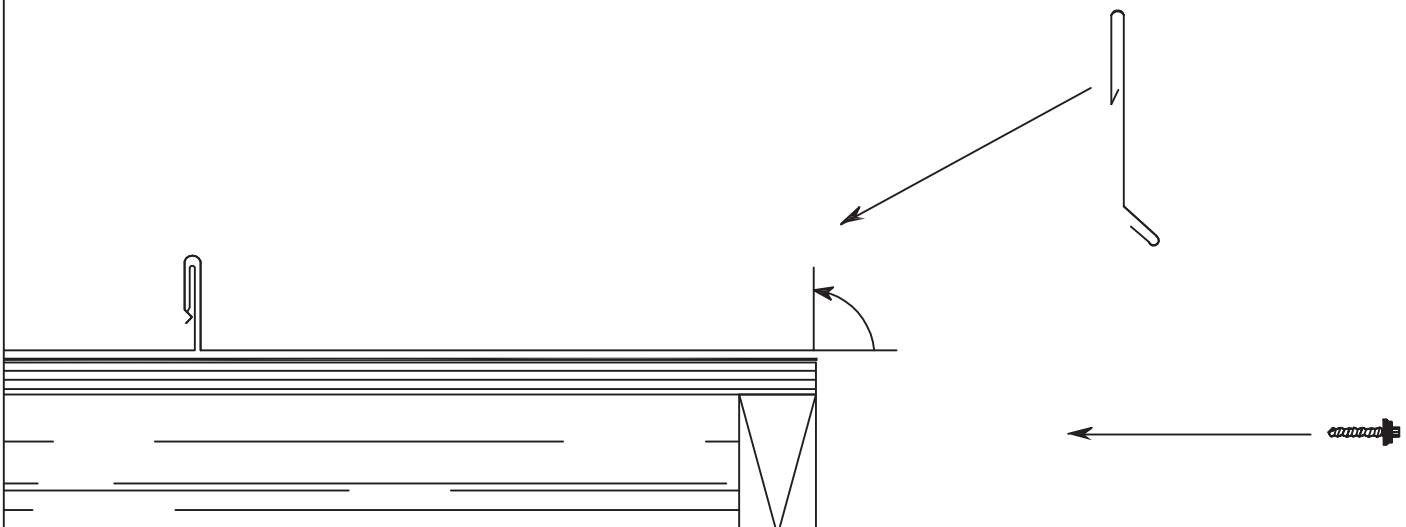
8/4

STANDARD DIMENSIONS

-INSTALLATION-

TERMINATION CLIP IS APPLIED AFTER THE PANELS HAVE BEEN INSTALLED.

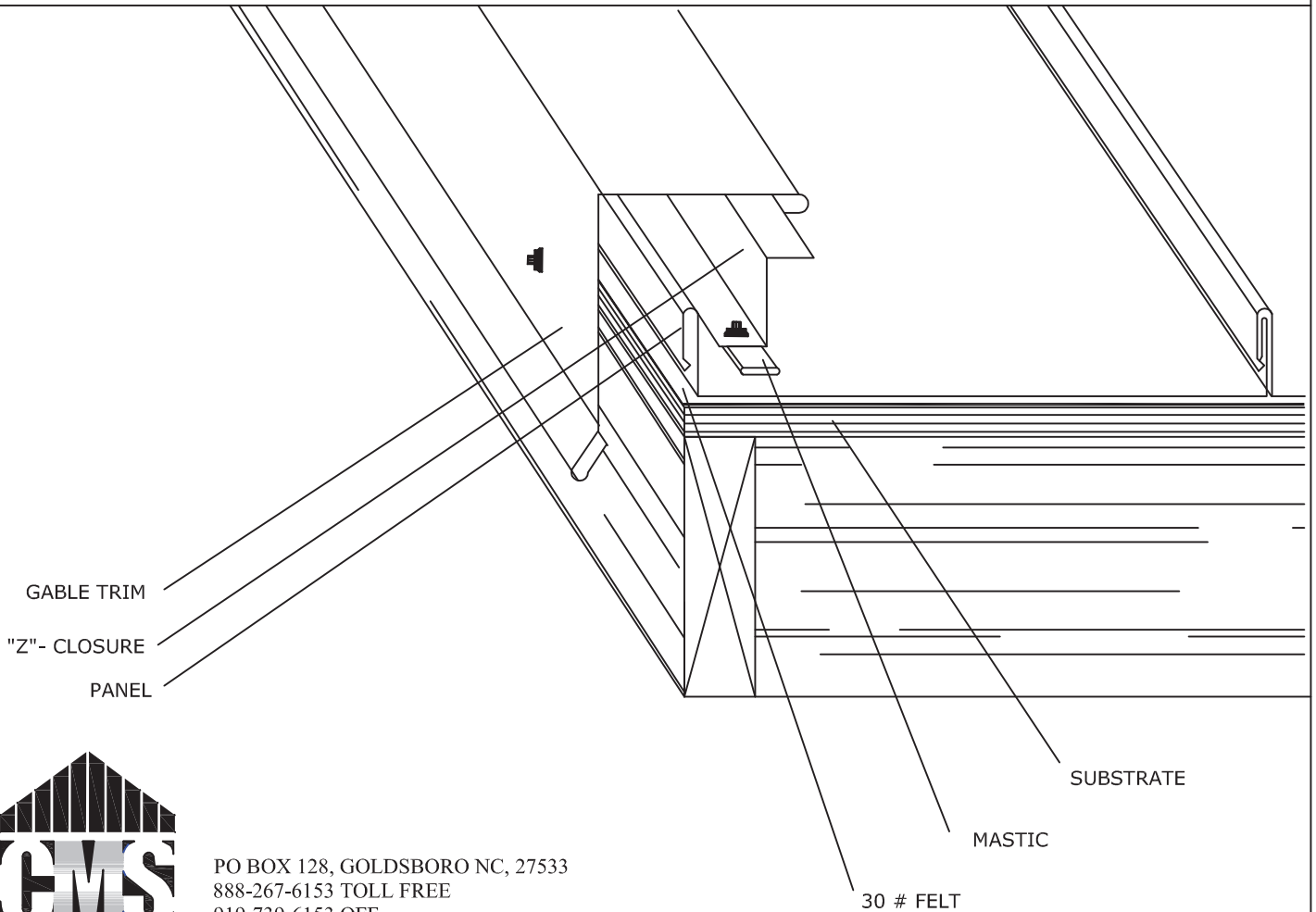
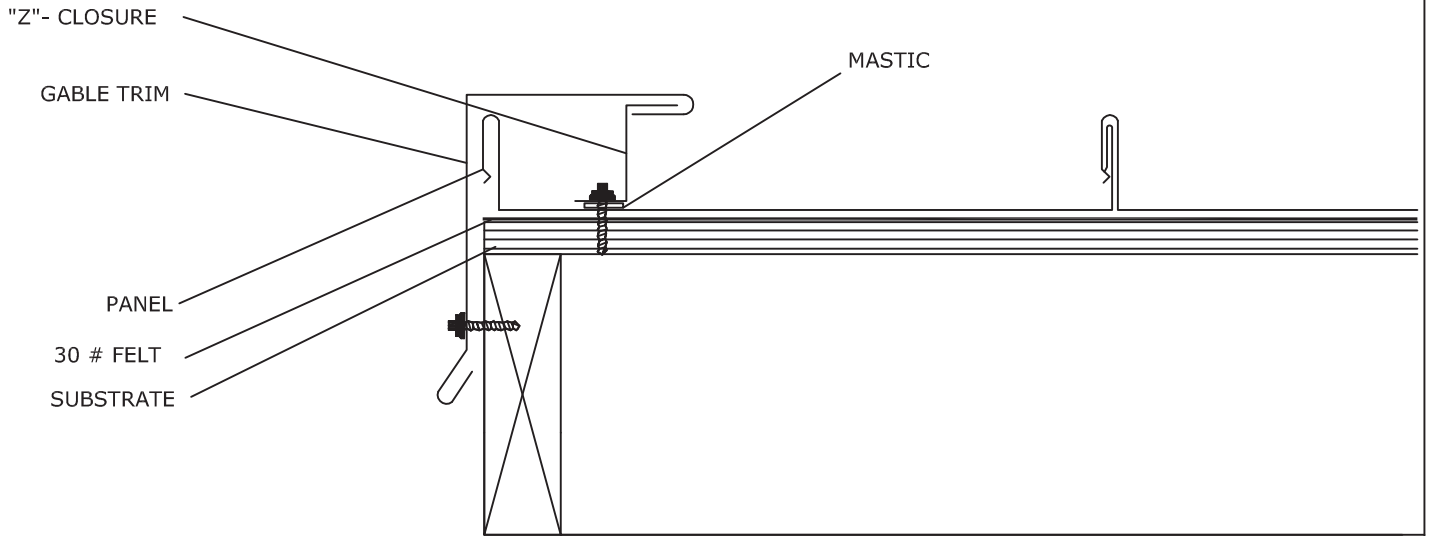
- 1- TERMINATION CLIP - LT IS THE RAKE DETAIL FOR HT-150 PANELS.
- 2- THE CLIP WILL BE APPLIED TO THE VERTICAL LEG OF THE PANEL AT THE RAKE EDGE.
- 3- SNAP THE TERMINATION CLIP OVER THE LEG OF THE PANEL AND PRESS DOWN UNTIL IT STOPS.
- 4- ATTACH TO RAKE WITH WASHER HEAD SCREW @ 2' O.C.
- 5- MOST OF THE TIME, YOU WILL HAVE A PARTIAL PANEL ON THE RAKE OF THE TERMINATION SIDE.
- 6- SIMPLY CUT THE PANEL 1 1/8" PAST THE EDGE OF THE ROOF. TURN THIS 1 1/8" UP 90 DEGREES AND SNAP THE TERMINATION CLIP OVER THE PART YOU TURNED UP AND PRESS DOWN UNTIL IT STOPS.



-NOTES-

- THIS IS A FAST, EASY INSTALLATION FOR RAKE TRIM. THE TRIM IS LESS BULKY THAN MOST DETAILS FOR RAKE TRIM AND IT IS VERY POPULAR FOR RESIDENTIAL APPLICATIONS.
- THIS DETAIL IS SPECIFICALLY FOR THE HT-150 PANEL.
- IT CAN ALSO BE APPLIED USING A CONCEALED CLEAT FOR APPLICATION WITHOUT SCREWS.
- THIS DETAIL ALLOWS THERMAL MOVEMENT IN THE PANEL BECAUSE IT DOES NOT PIN THE PANEL TO THE ROOF.

# GABLE TRIM

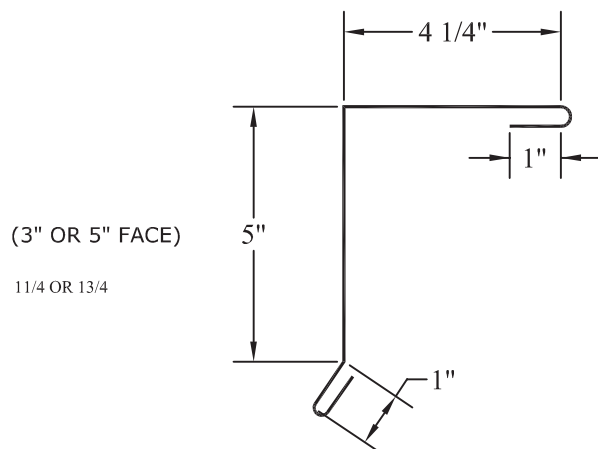


PO BOX 128, GOLDSBORO NC, 27533  
888-267-6153 TOLL FREE  
919-739-6153 OFF  
919-705-1097 FAX

30 # FELT



## GABLE TRIM TECHNICAL INFORMATION

ASSOCIATED ITEMS:

"Z"-CLOSURES

## STANDARD DIMENSIONS

## -INSTALLATION-

CMS GABLE TRIM IS APPLIED AFTER THE PANELS HAVE BEEN INSTALLED.

- 1- "Z"-CLOSURE MUST BE APPLIED TO THE ROOF PARALLEL TO THE RAKE EDGE. "Z"-CLOSURE IS FASTENED TO THE ROOF WITH WASHER SCREWS @ 2' O.C. MASTIC MUST BE APPLIED BENEATH ALL "Z"-CLOSURE.
- 2- THE OPEN HEM OF THE GABLE TRIM IS THEN ATTACHED TO THE "Z"-CLOSURE.
- 3- A SCREW IS PLACED IN THE FACE OF THE GABLE TRIM @ 2' O.C.

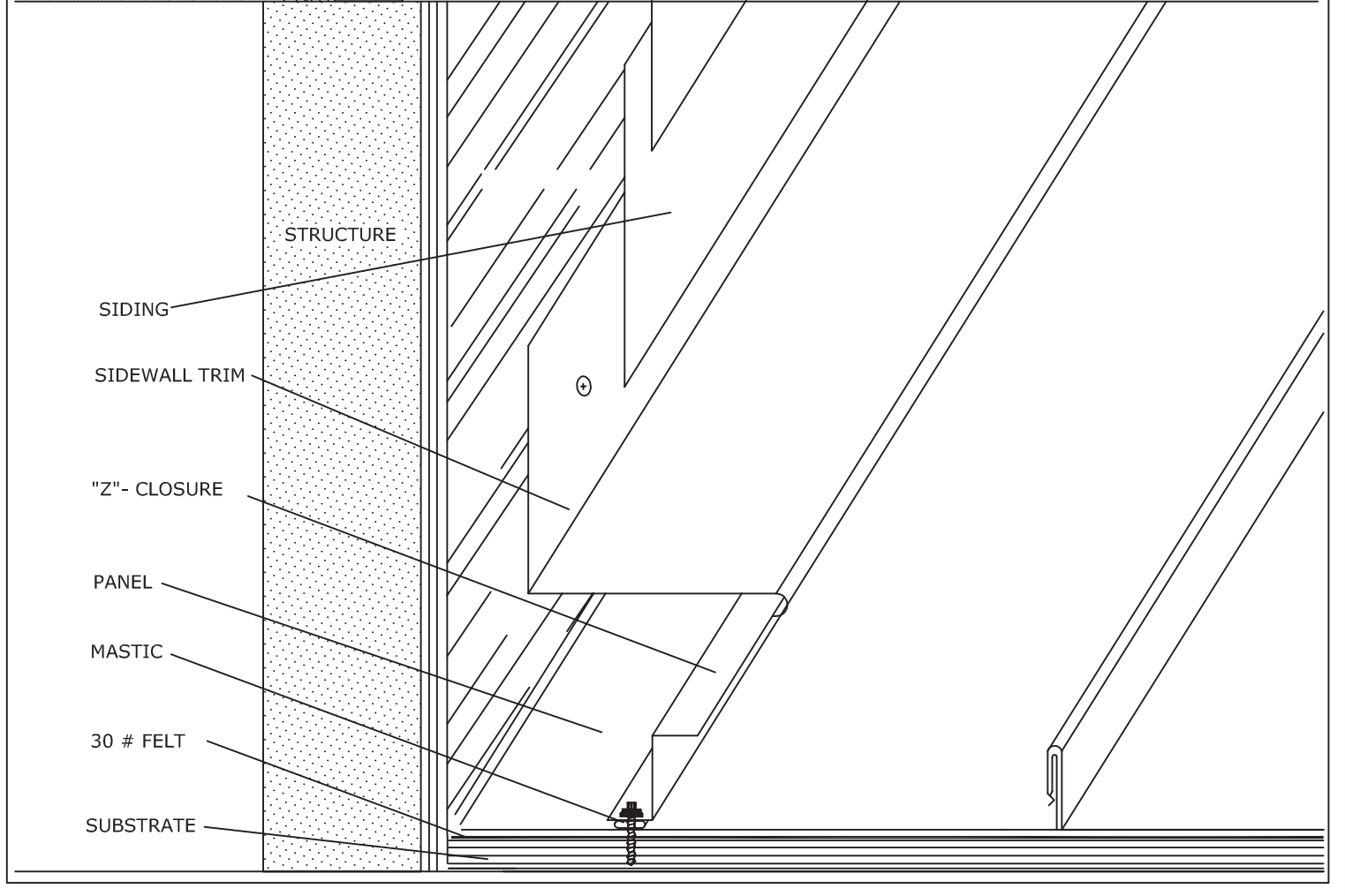
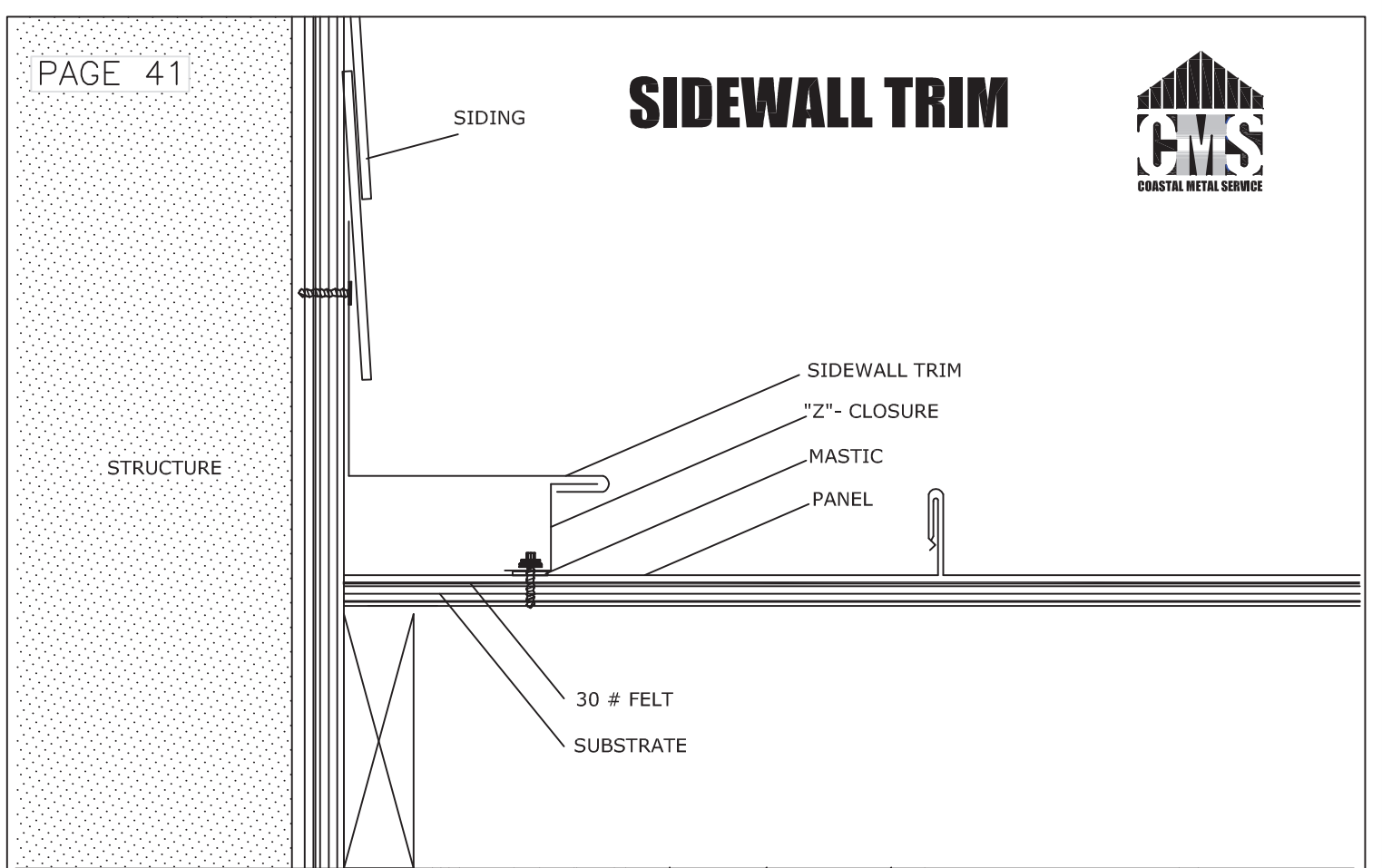
## -NOTES-

GABLE TRIM IS THE STANDARD DETAIL FOR LT-100, HT-150, AND CLASSIC BATTEN WHEN STARTER AND TERMINATION ARE NOT USED.



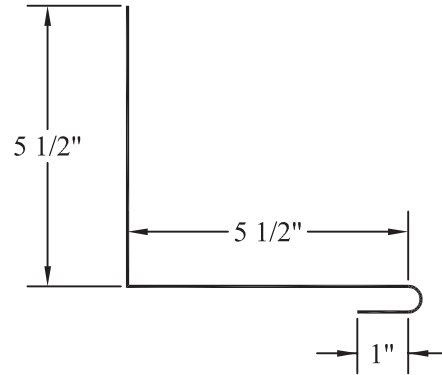
PO BOX 128, GOLDSBORO NC, 27533  
 888-267-6153 TOLL FREE  
 919-739-6153 OFF  
 919-705-1097 FAX

# SIDEWALL TRIM





# CMS SIDEWALL TRIM TECHNICAL INFORMATION



ASSOCIATED ITEMS:  
"Z"-CLOSURES

12/2

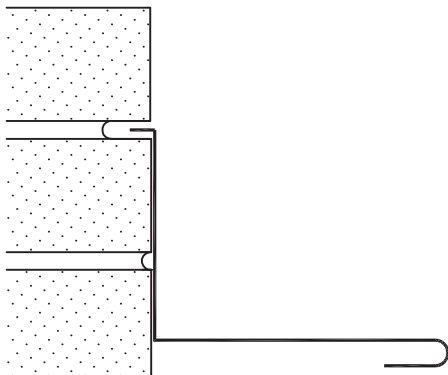
### -INSTALLATION-

CMS SIDEWALL TRIM IS APPLIED AFTER THE PANELS HAVE BEEN INSTALLED.  
IT IS USED WHEN THE PANELS ARE APPLIED BESIDE A WALL OF THE STRUCTURE.

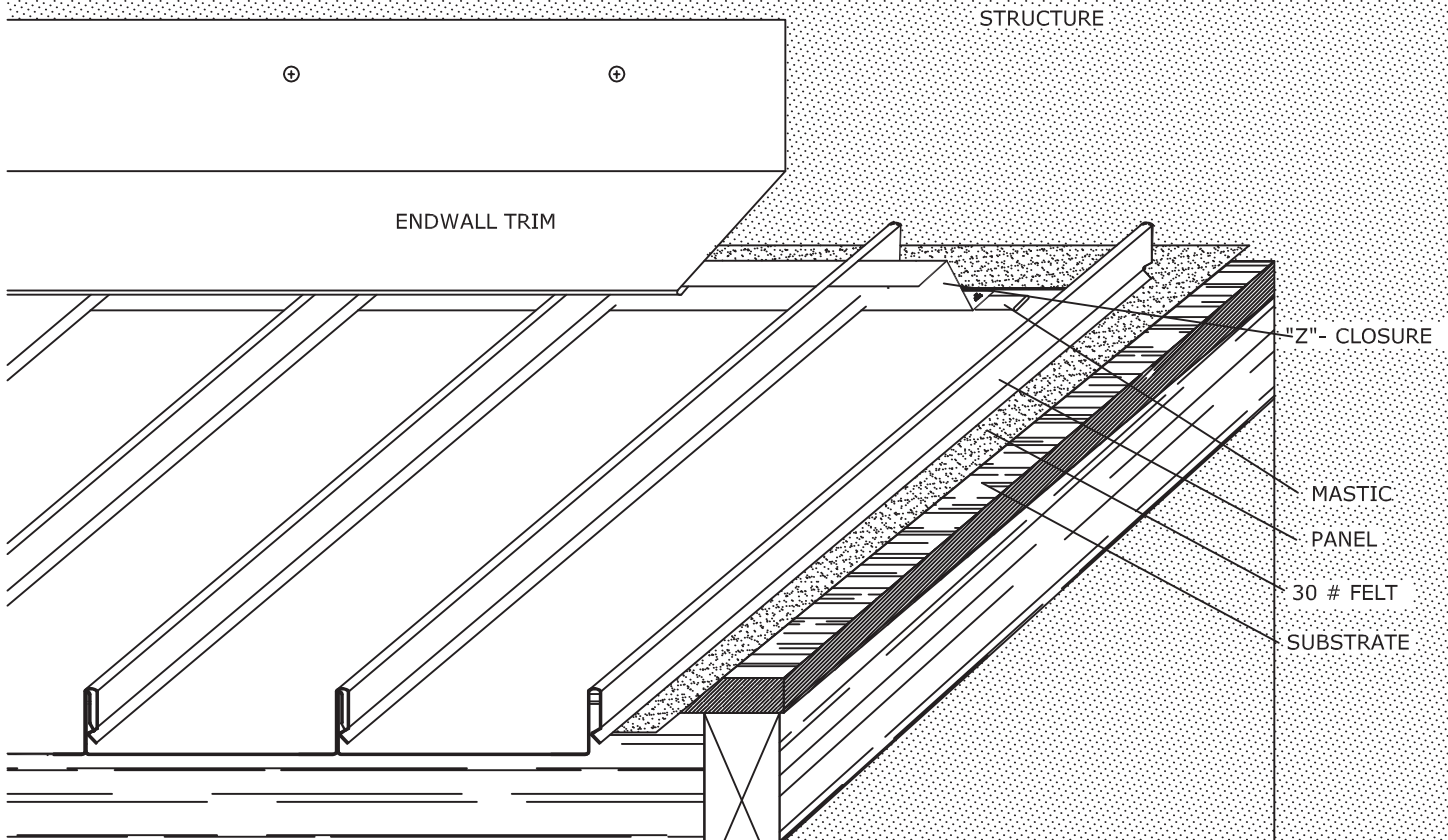
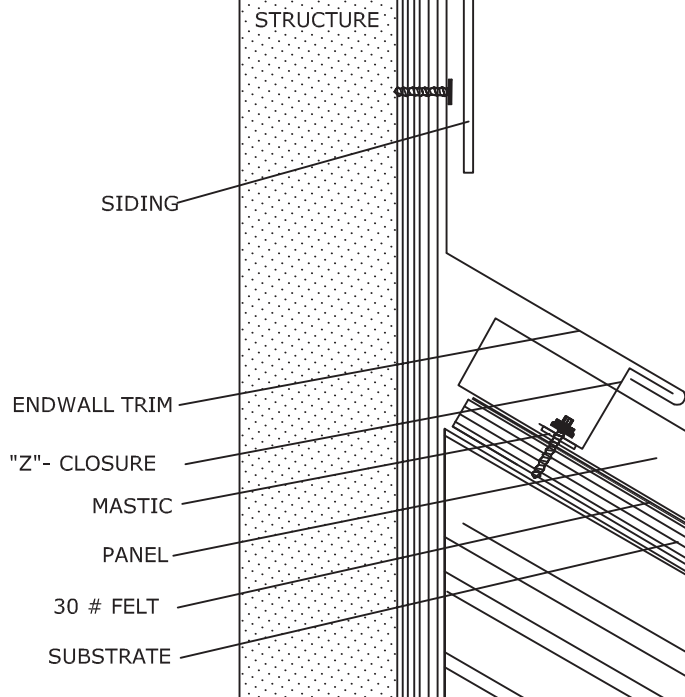
- 1- THE "Z"-CLOSURE WILL BE APPLIED ON TOP OF THE PANEL, PARALLEL TO THE WALL. MASTIC MUST BE APPLIED BENEATH ALL "Z"-CLOSURES.
- 2- THE OPEN HEM OF THE SIDEWALL WILL BE ATTACHED TO THE "Z"-CLOSURE. THE SIDEWALL WILL THEN BE FASTENED TO THE WALL OF THE STRUCTURE WITH A PAN HEAD SCREW.
- 3- THE SIDING OF THE STRUCTURE WILL THEN BE ALLOWED TO LAP OVER THE VERTICAL LEG OF THE SIDEWALL TRIM

### -NOTES-

AT YOUR REQUEST, SIDEWALL MAY BE MODIFIED FOR MASONRY WALLS

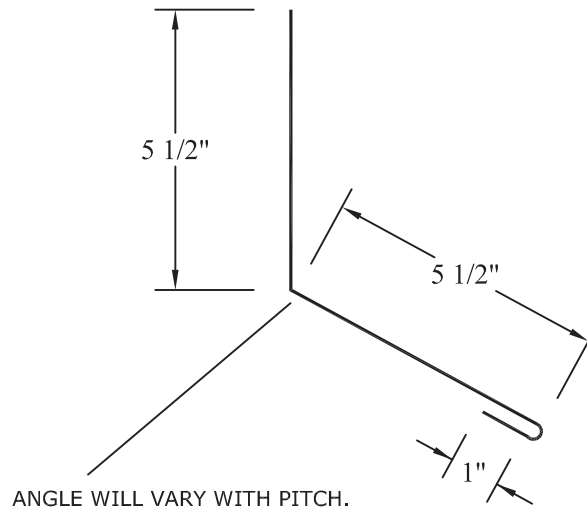


# ENDWALL TRIM





# CMS ENDWALL TRIM TECHNICAL INFORMATION



ASSOCIATED ITEMS:  
"Z"-CLOSURES

12/2

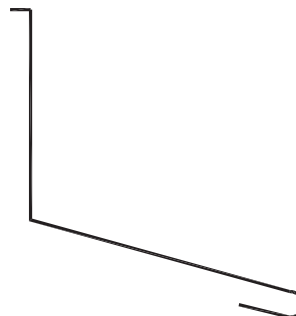
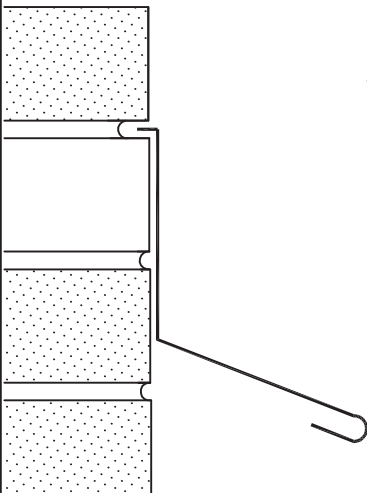
### -INSTALLATION-

CMS ENDWALL TRIM IS APPLIED AFTER THE PANELS HAVE BEEN INSTALLED.  
IT IS USED WHEN THE PANELS TERMINATE INTO A WALL OF THE STRUCTURE.

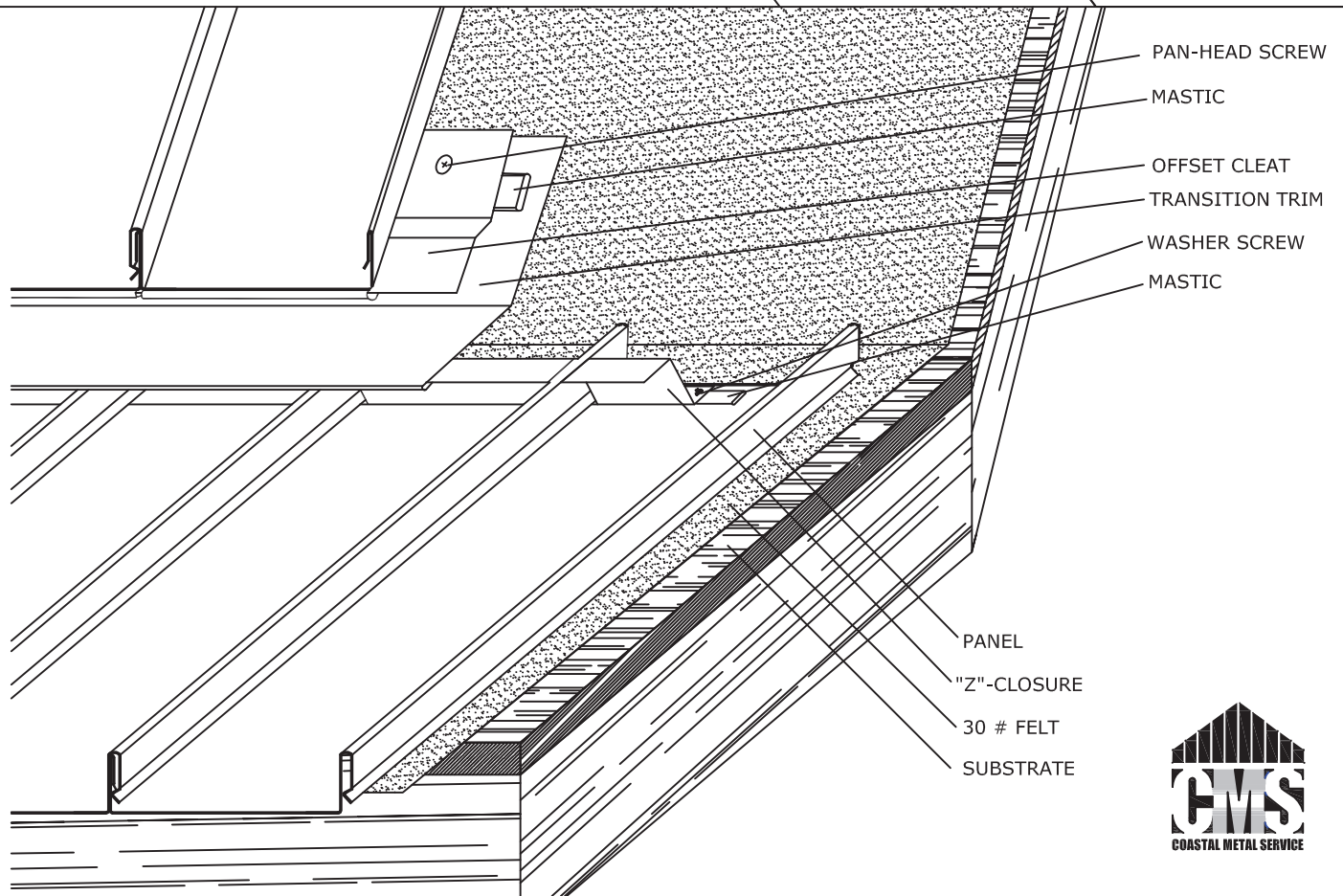
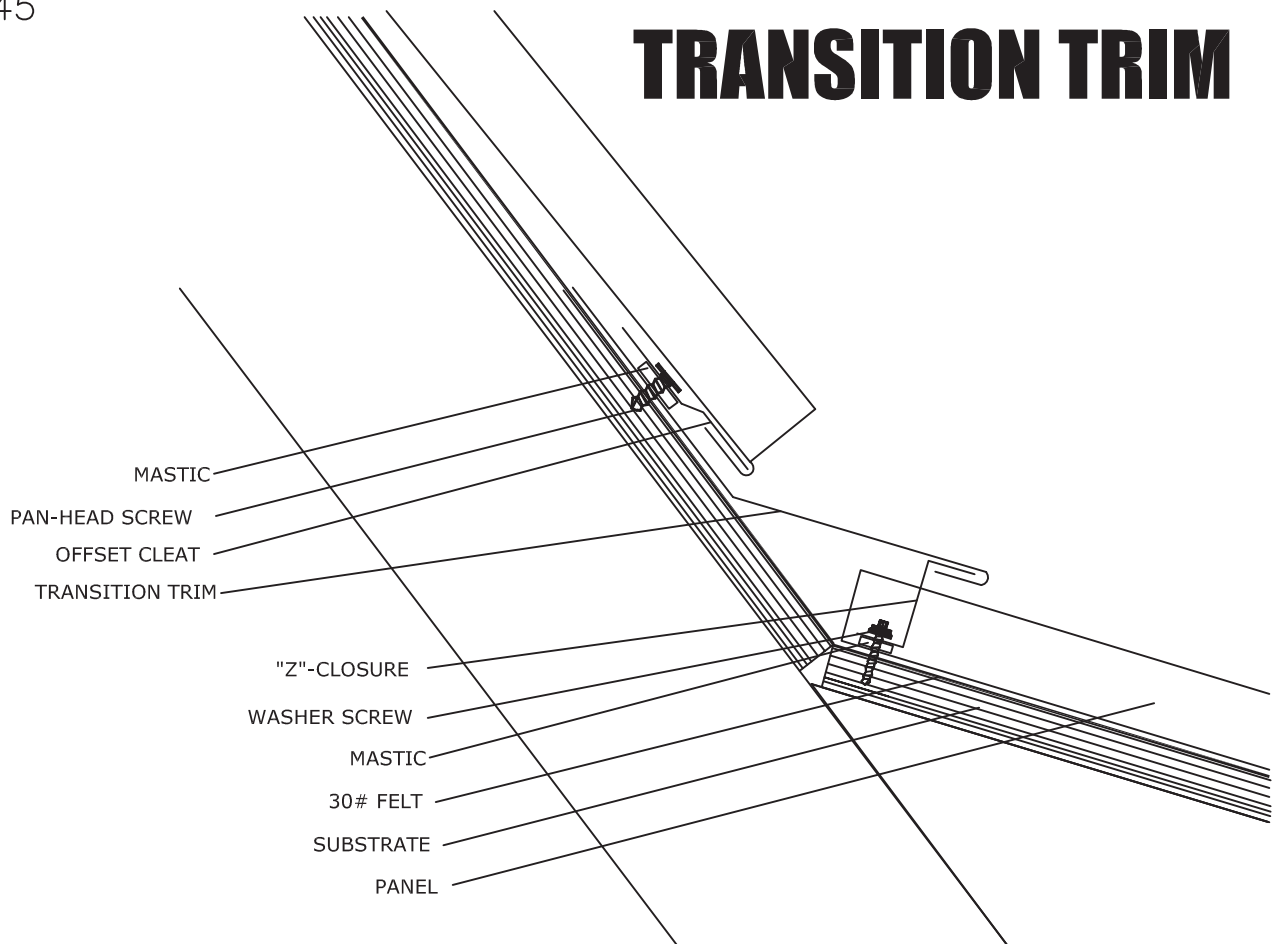
- 1- "Z"-CLOSURE MUST BE CUT TO LENGTH TO FIT BETWEEN THE PANEL SEAMS. THE "Z"-CLOSURE IS THEN PLACED BETWEEN THE SEAMS OF THE PANEL. MASTIC MUST BE APPLIED BENEATH ALL "Z"-CLOSURES.  
"Z"-CLOSURE IS FASTENED TO THE ROOF WITH PAN HEAD SCREWS @ 12" ON CENTER.
- 2- AFTER "Z"-CLOSURES HAVE BEEN INSTALLED AT THE BASE OF THE WALL, THE OPEN HEM OF THE ENDWALL IS ATTACHED TO THE "Z"-CLOSURES. THE ENDWALL CAN THEN BE ATTACHED TO THE STRUCTURE WITH A PAN HEAD SCREW.
- 3- THE SIDING OF THE STRUCTURE WILL THEN BE ALLOWED TO LAP OVER THE VERTICAL LEG OF THE ENDWALL.

### -NOTES-

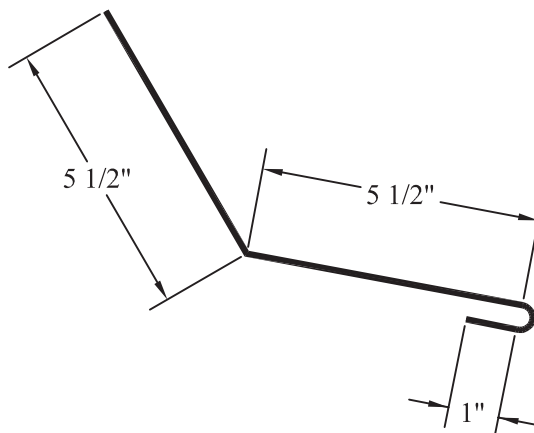
AT YOUR REQUEST, ENDWALL MAY BE MODIFIED FOR MASONRY WALLS.



# TRANSITION TRIM



## CMS TRANSITION TRIM TECHNICAL INFORMATION

**ASSOCIATED ITEMS:**

12/2

"Z"-CLOSURES  
OFFSET CLEAT

**-INSTALLATION-**

CMS TRANSITION TRIM IS APPLIED WHEN THE PANELS ON THE LOWER ROOF SLOPE HAVE BEEN INSTALLED. IT MUST BE APPLIED BEFORE THE PANELS ON THE HIGHER ROOF SLOPE ARE INSTALLED.

- 1- "Z"-CLOSURE MUST BE CUT TO LENGTH TO FIT BETWEEN THE PANEL SEAMS. THE "Z"-CLOSURE IS THEN PLACED BETWEEN THE SEAMS OF THE PANEL. MASTIC MUST BE APPLIED BENEATH ALL "Z"-CLOSURES. "Z"-CLOSURE IS FASTENED TO THE ROOF WITH WASHER SCREWS @ 12" ON CENTER.
- 2- THE OPEN HEM OF THE TRANSITION TRIM IS PLACED ONTO THE "Z" CLOSURE, THEN THE TRANSITION IS FASTENED TO THE ROOF DECK OF THE HIGHER SLOPE ROOF WITH PAN HEAD SCREWS.
- 4- OFFSET CLEAT IS THEN APPLIED OVER THE LEG OF THE TRANSITION TRIM ON THE HIGHER ROOF DECK. THE PANELS ON THE HIGHER ROOF DECK MAY THEN BE APPLIED.

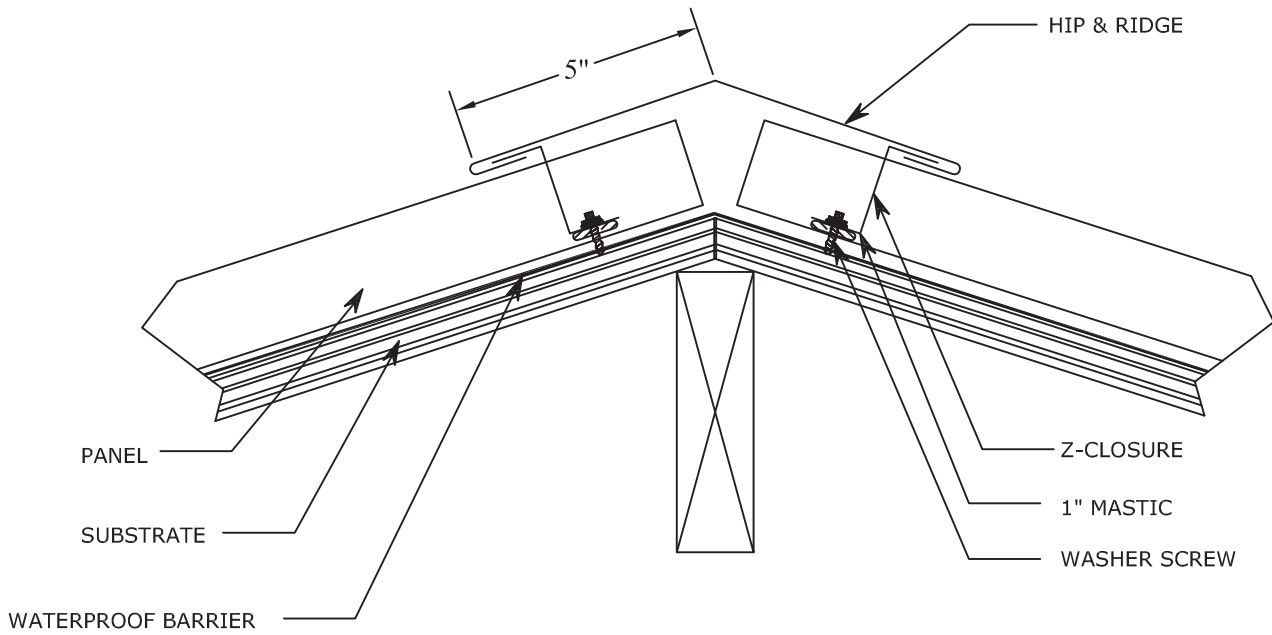
**-NOTES-**

TRANSITION IS USED TO TERMINATE ONE ROOF PITCH AND START ANOTHER.

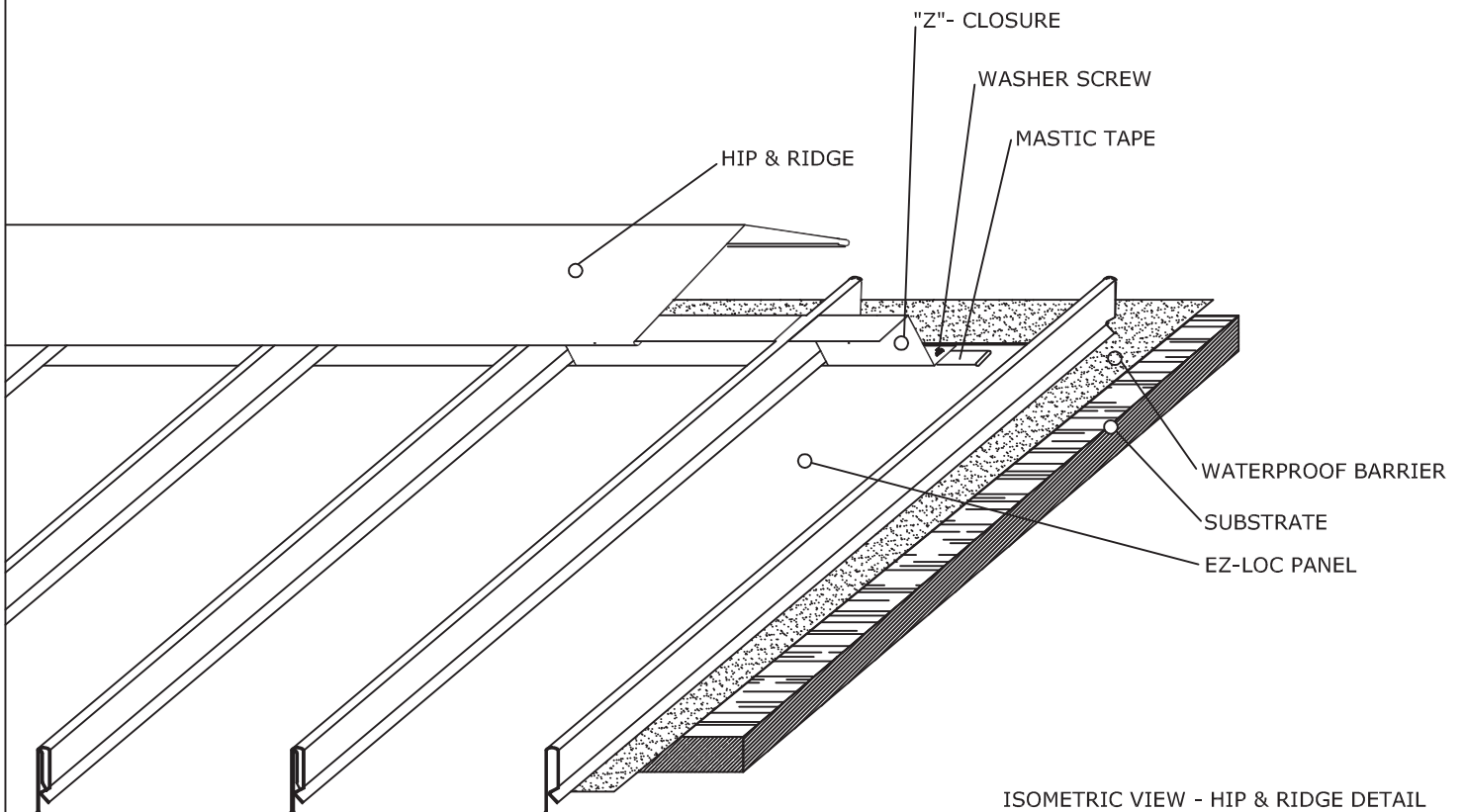


PO BOX 128, GOLDSBORO NC, 27533  
888-267-6153 TOLL FREE  
919-739-6153 OFF  
919-705-1097 FAX

# HIP & RIDGE



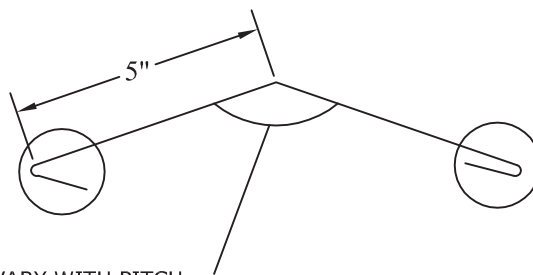
CROSS SECTION - HIP & RIDGE DETAIL



ISOMETRIC VIEW - HIP & RIDGE DETAIL



## HIP &amp; RIDGE TECHNICAL INFORMATION



## STANDARD DIMENSIONS

12/3

ANGLE WILL VARY WITH PITCH.

ASSOCIATED ITEMS:

"Z"-CLOSURES

HIP & RIDGE HAS A TYPICAL OPEN HEM ON ONE SIDE AND A WIDER OPEN HEM ON THE OTHER SIDE. THIS ALLOWS AN EASIER INSTALLATION OVER THE "Z"-CLOSURES.

-INSTALLATION- AFTER THE PANELS HAVE BEEN INSTALLED, THE HIP & RIDGE MAY BE INSTALLED.

- 1- "Z"-CLOSURE MUST BE CUT TO LENGTH TO FIT BETWEEN THE PANEL SEAMS.
- 2- THE "Z"-CLOSURE IS THEN PLACED BETWEEN THE SEAMS OF THE PANEL. MASTIC MUST BE APPLIED BENEATH ALL "Z"-CLOSURES. -NOTE- THE DISTANCE FROM THE RIDGE WILL VARY FROM JOB TO JOB WITH THE PITCH OF THE ROOF. THE "Z"-CLOSURE IS FASTENED WITH WASHER SCREWS AT 12" CENTERS WHICH WILL PENETRATE THE CLOSURE, MASTIC, AND THE PANEL.
- 3- AFTER "Z"-CLOSURES HAVE BEEN INSTALLED ON BOTH SIDES OF THE RIDGE, THE HIP & RIDGE IS PLACED ONTO THE "Z"-CLOSURES. THE SIDE WITH THE TYPICAL OPEN HEM SLIDES ONTO THE "Z"-CLOSURES FIRST. THE CAP IS THEN ALLOWED TO SLIDE OVER THE OPPOSITE "Z"-CLOSURE BECAUSE OF THE WIDER HEM.
- 4- THE WIDER HEMS ARE THEN CLOSED IN THE FIELD AND INSTALLATION IS COMPLETE.

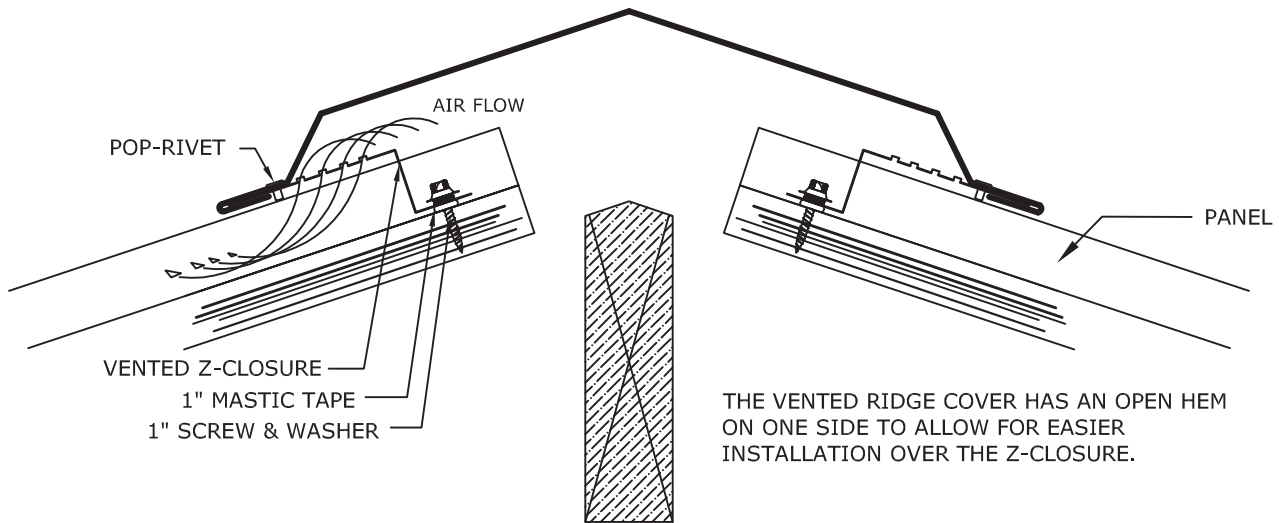
## -NOTES-

- THE PITCH OF THE ROOF MUST BE INDICATED FOR PROPER FIT OF HIP & RIDGE
- LOCATION OF "Z"-CLOSURES MUST BE DETERMINED IN THE FIELD.



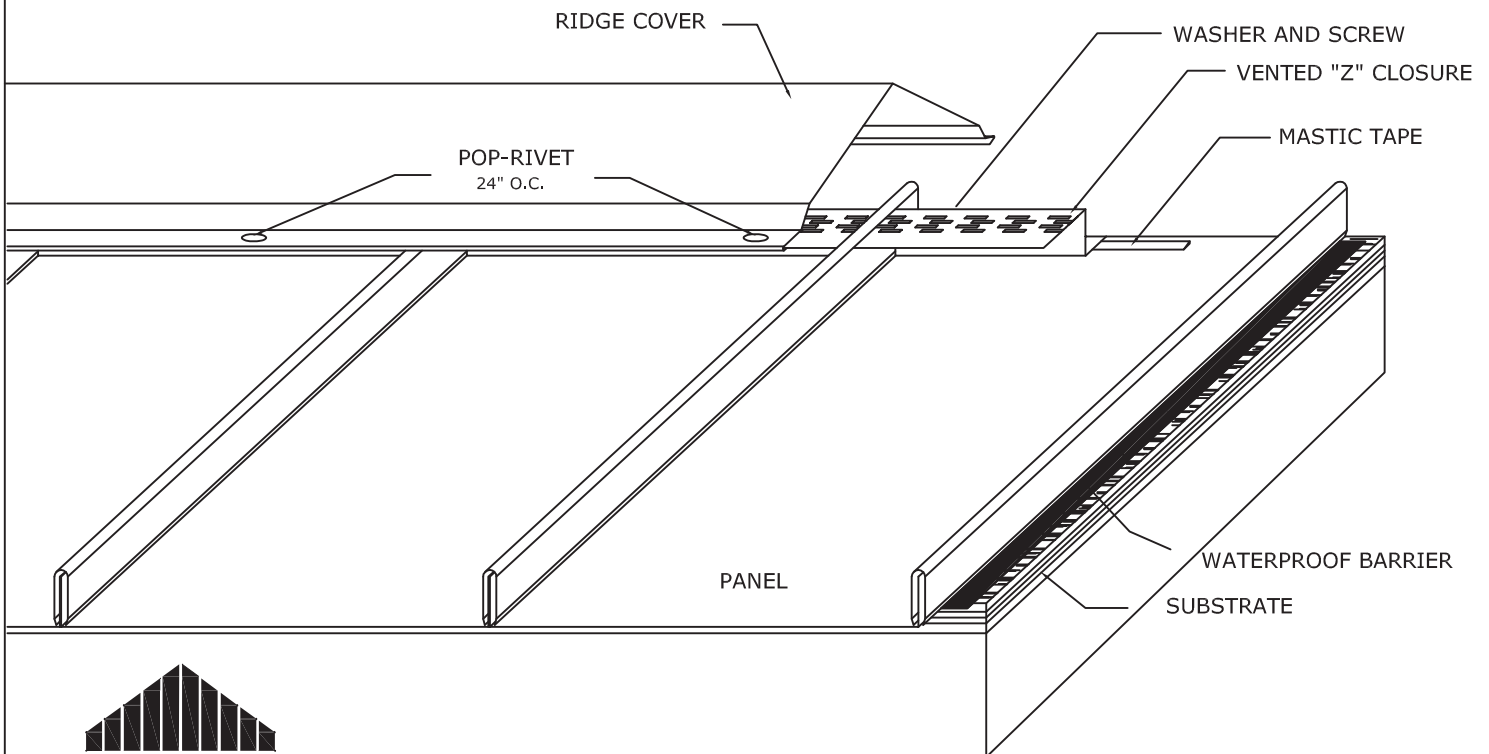
PO BOX 128, GOLDSBORO NC, 27533  
 888-267-6153 TOLL FREE  
 919-739-6153 OFF  
 919-705-1097 FAX

# VENTED RIDGE COVER



THE VENTED RIDGE COVER HAS AN OPEN HEM ON ONE SIDE TO ALLOW FOR EASIER INSTALLATION OVER THE Z-CLOSURE.

CROSS SECTION - VENTED RIDGE COVER DETAIL



ISOMETRIC VIEW - RIDGE COVER DETAIL

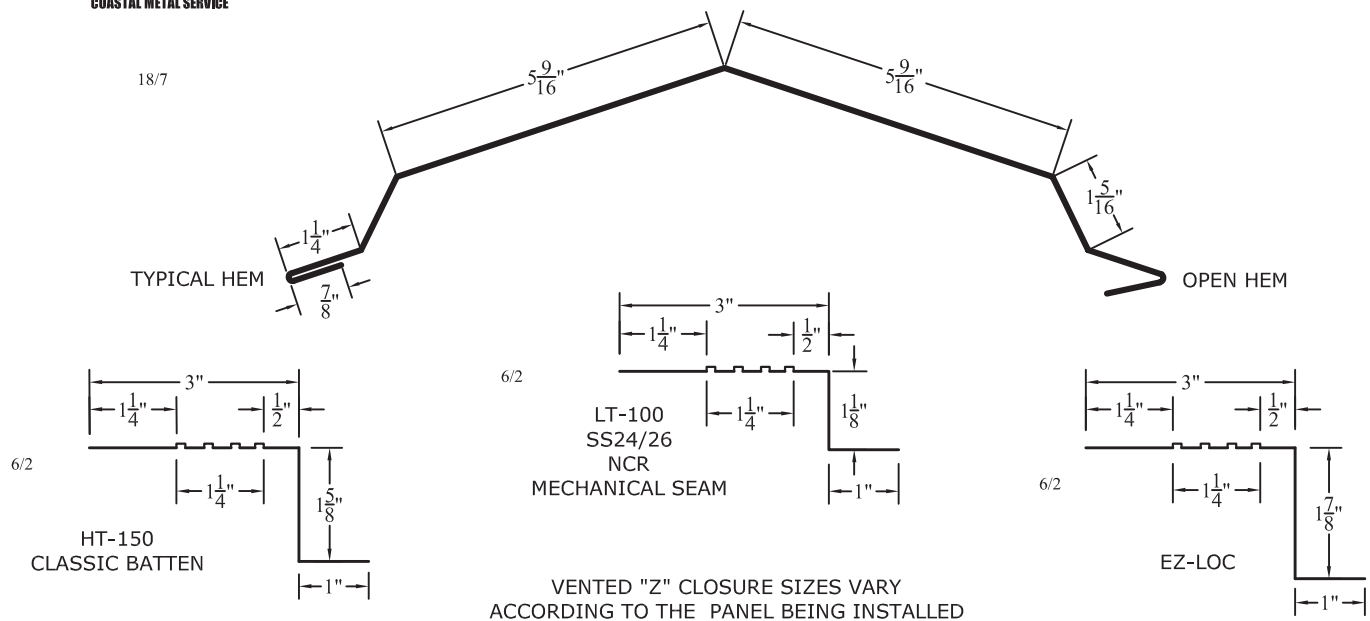


PO BOX 128, GOLDSBORO NC, 27533  
888-267-6153 TOLL FREE  
919-739-6153 OFF  
919-705-1097 FAX



# VENTED RIDGE COVER

## TECHNICAL INFORMATION



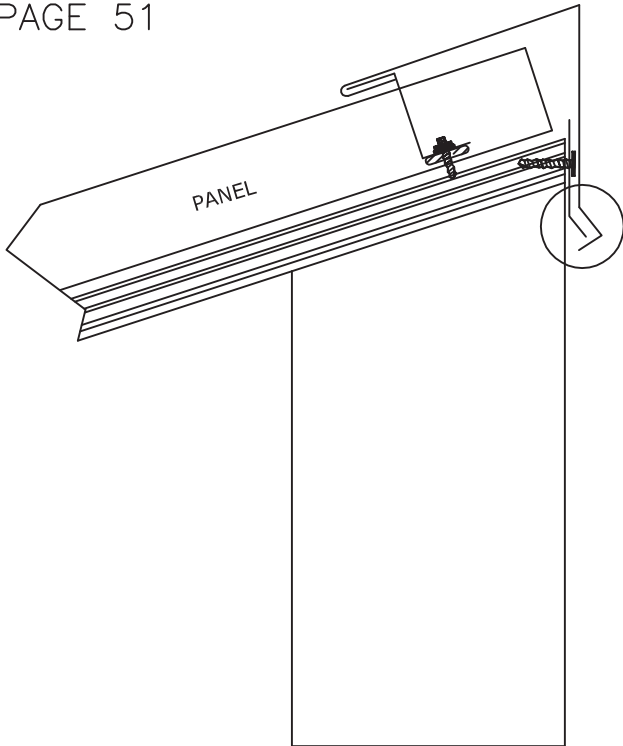
### > INSTALLATION <

- > THE INSTALLATION OF THE VENTED RIDGE COVER TAKES PLACE AFTER THE PANELS HAVE BEEN INSTALLED.
- > VENTED "Z" CLOSURES MUST BE CUT TO LENGTH TO FIT BETWEEN THE PANEL SEAMS.
- > PLACEMENT OF THE "Z" CLOSURES WILL VARY FROM JOB TO JOB BASED ON THE PITCH OF THE ROOF.
- > 1" MASTIC TAPE IS APPLIED UNDER EACH "Z" CLOSURE BEFORE BEING FASTENED WITH 1" WOOD SCREWS WHICH WILL PENETRATE THE CLOSURE, MASTIC AND PANEL.
- > AFTER "Z" CLOSURES HAVE BEEN INSTALLED ON BOTH SIDES OF THE RIDGE, THE RIDGE COVER IS PLACED ONTO THE FIRST "Z" CLOSURE USING THE TYPICAL HEM SIDE FIRST THEN SLIDING THE OPEN HEM OVER THE SECOND "Z" CLOSURE.
- > THE OPEN HEMS ARE THEN CLOSED IN THE FIELD. THE FINAL STEP WILL BE TO PLACE A POP-RIVET THROUGH THE RIDGE AND THROUGH THE "Z" CLOSURE. PLACE THE POP-RIVETS EVERY 24" ON CENTER.

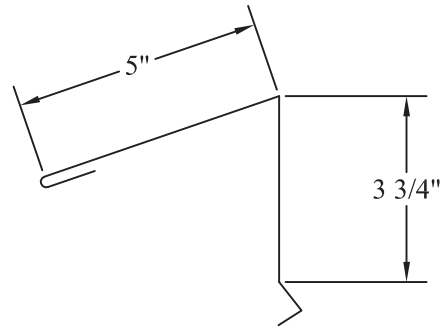
### > NOTES <

- > THE VENTED RIDGE COVER IS A 3 PIECE DESIGN AND MAY BE USED WITH ANY CMS PANEL. PLEASE BE SURE TO SPECIFY WHICH PANEL YOU ARE USING FOR YOUR PROJECT TO INSURE THAT YOU RECEIVE THE PROPER "Z" CLOSURE.
- > THE PITCH OF THE ROOF MUST BE INDICATED FOR A PROPER FIT.
- > LOCATION OF "Z" CLOSURES MUST BE DETERMINED IN THE FIELD.
- > EACH VENTED "Z" CLOSURE HAS ONE ROW OF PERFORATIONS WHICH PROVIDE 3-1/2" OF NET FREE AIR SPACE PER LINEAR FOOT. ONE ROW OF PERFORATION EQUALS 1 1/4" IN WIDTH.

# SINGLE SLOPE RIDGE

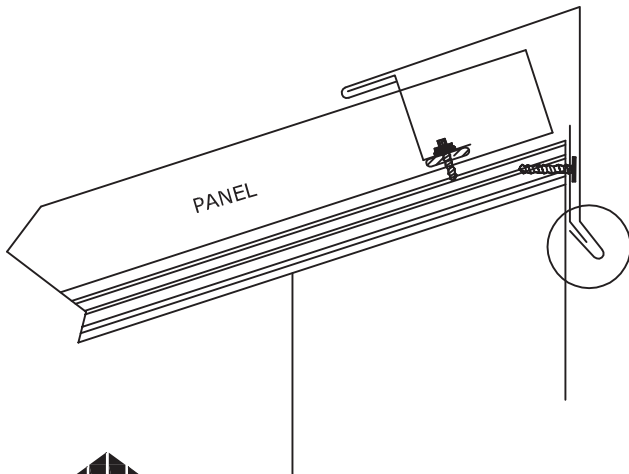


NOTE: THE HEM IS LEFT OPEN FOR INSTALLATION.



12/4

- 1- "Z"-CLOSURE MUST BE CUT TO LENGTH TO FIT BETWEEN THE PANEL SEAMS.
- 2- THE "Z"-CLOSURE IS THEN PLACED BETWEEN THE SEAMS OF THE PANEL. MASTIC MUST BE APPLIED BENEATH ALL "Z"-CLOSURES. THE "Z"-CLOSURE IS FASTENED WITH WASHER SCREWS AT 12" CENTERS WHICH WILL PENETRATE THE CLOSURE, MASTIC, AND THE PANEL.
- 3- A CONCEALED CLEAT WILL BE FASTENED TO THE VERTICAL WALL WITH PAN-HEAD SCREWS.
- 4- THE HEMMED SIDE OF THE TRIM WILL BE PLACED ONTO THE "Z"-CLOSURES AS SHOWN.
- 5- AFTER INSTALLATION, THE OPEN HEM OVER THE CLEAT WILL BE CLOSED BY HAND IN THE FIELD.

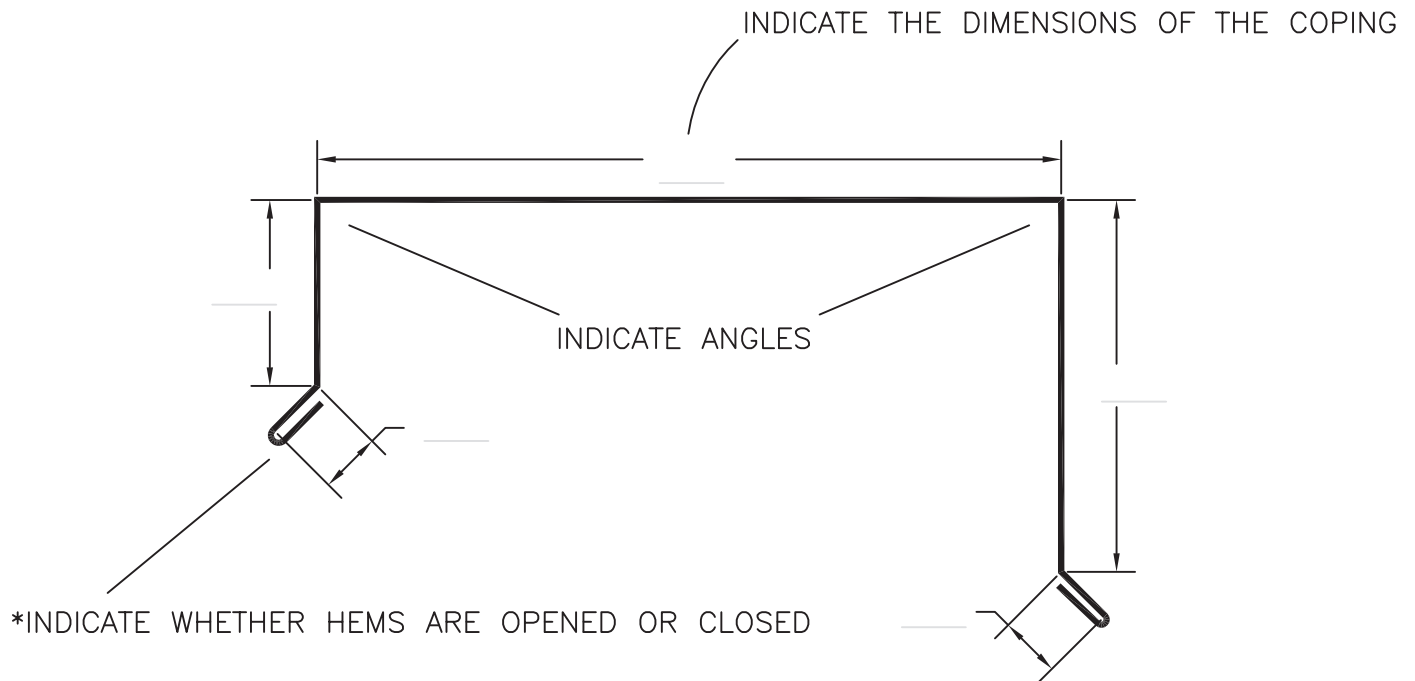


IT IS CLOSED IN THE FIELD AFTER INSTALLATION.



PO BOX 128, GOLDSBORO NC, 27533  
888-267-6153 TOLL FREE  
919-739-6153 OFF  
919-705-1097 FAX

# COPING CAP



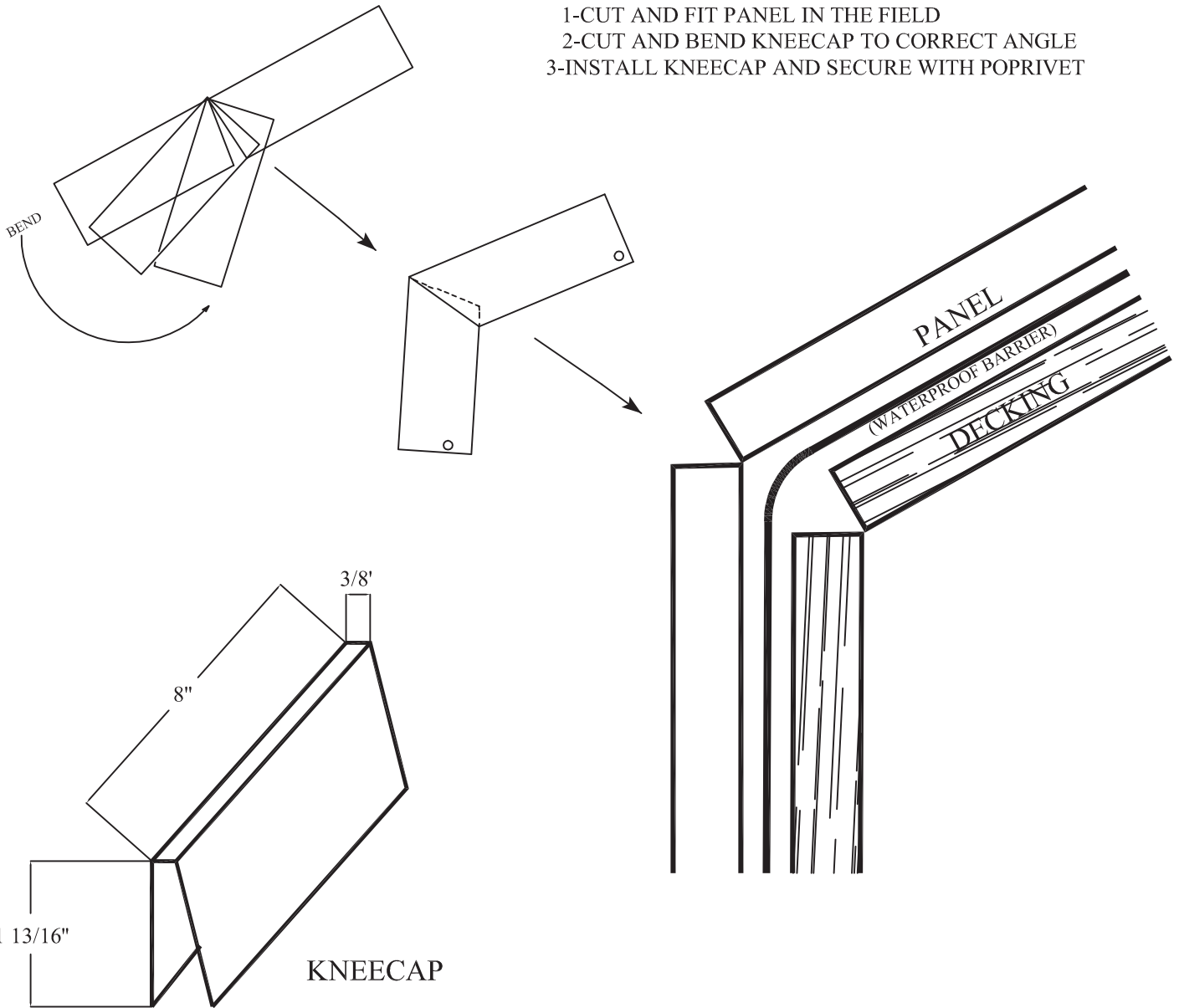
- COPING CAP MAY BE DESIGNED TO ACCOMODATE CONCEALED CLEATS AND "Z"-CLOSURES.
- THEY CAN ALSO BE INSTALLED BY FASTENING IT THROUGH THE FACE WITH SCREWS.
- ANGLES AND DIMENSIONS CAN BE CHANGED FOR MANSARDS, PARAPETS, OR SLOPED ROOFS.
- COPING CAP IS CONSIDERED SPECIAL TRIM AND IS SOLD BY THE LINEAR FOOT.
- 20' LENGTHS ARE AVAILABLE UPON REQUEST.



PO BOX 128, GOLDSBORO NC, 27533  
888-267-6153 TOLL FREE  
919-739-6153 OFF  
919-705-1097 FAX

# KNEECAP FOR EZ-LOC

- 1-CUT AND FIT PANEL IN THE FIELD
- 2-CUT AND BEND KNEECAP TO CORRECT ANGLE
- 3-INSTALL KNEECAP AND SECURE WITH POPRIVET

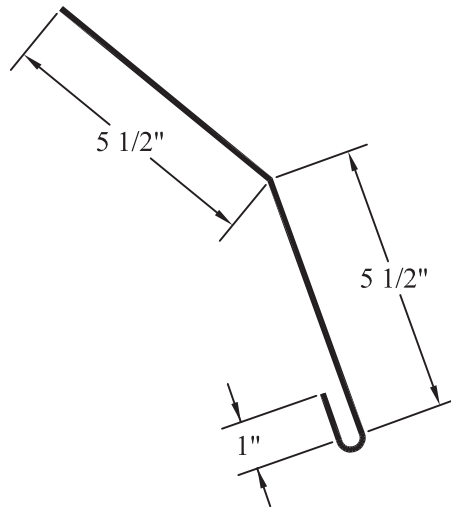


4/2



PO BOX 128, GOLDSBORO NC, 27533  
888-267-6153 TOLL FREE  
919-739-6153 OFF  
919-705-1097 FAX

# GAMBREL TRIM



## ASSOCIATED ITEMS:

"Z"-CLOSURES  
 OFFSET CLEAT 12/2

## -INSTALLATION-

CMS GAMBREL TRIM IS APPLIED WHEN THE PANELS ON THE LOWER ROOF SLOPE HAVE BEEN INSTALLED. IT MUST BE APPLIED BEFORE THE PANELS ON THE HIGHER ROOF SLOPE ARE INSTALLED.

- 1- "Z"-CLOSURE MUST BE CUT TO LENGTH TO FIT BETWEEN THE PANEL SEAMS. THE "Z"-CLOSURE IS THEN PLACED BETWEEN THE SEAMS OF THE PANEL. MASTIC MUST BE APPLIED BENEATH ALL "Z"-CLOSURES. "Z"-CLOSURE IS FASTENED TO THE ROOF WITH WASHER SCREWS @ 12" ON CENTER.
- 2- THE OPEN HEM OF THE GAMBREL TRIM IS PLACED ONTO THE "Z" CLOSURE, THEN THE TRANSITION IS FASTENED TO THE ROOF DECK OF THE HIGHER SLOPE ROOF WITH PAN HEAD SCREWS.
- 4- OFFSET CLEAT IS THEN APPLIED OVER THE LEG OF THE GAMBREL TRIM ON THE HIGHER ROOF DECK. THE PANELS ON THE HIGHER ROOF DECK MAY THEN BE APPLIED.

## -NOTES-

GAMBREL IS USED TO TERMINATE ONE ROOF PITCH AND START ANOTHER.

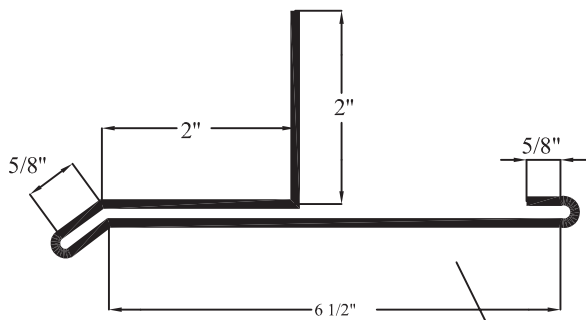


PO BOX 128, GOLDSBORO NC, 27533  
 888-267-6153 TOLL FREE  
 919-739-6153 OFF  
 919-705-1097 FAX

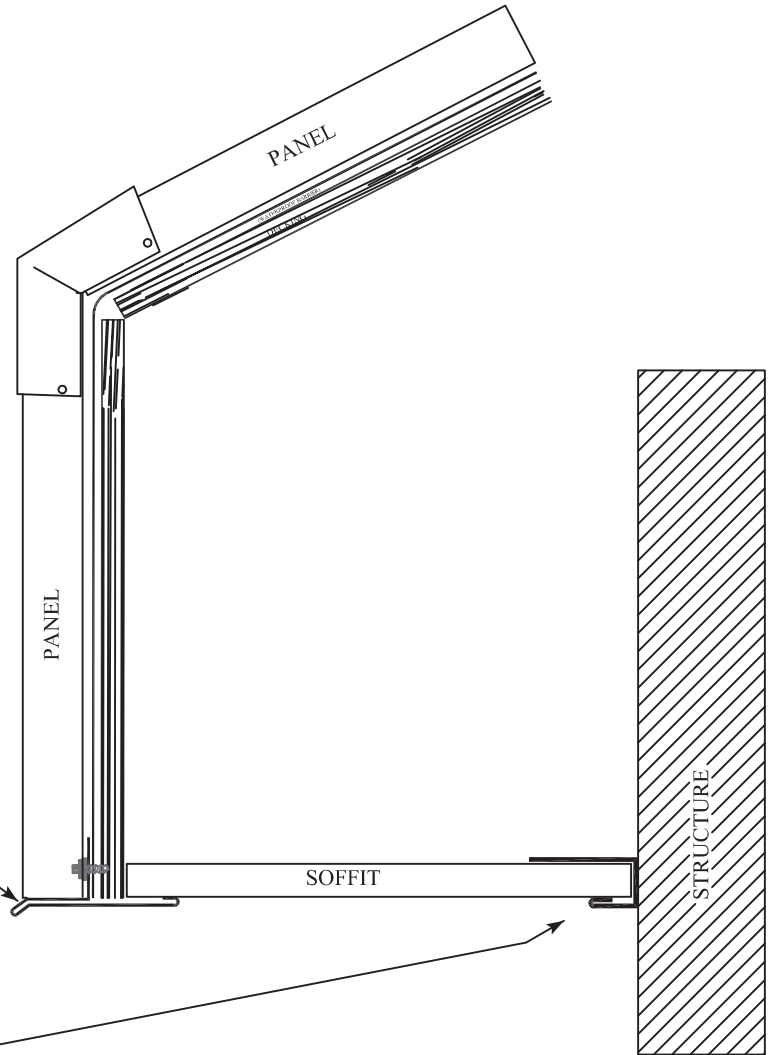
# SILL & SOFFIT

# J-CHANNEL

SILL & SOFFIT

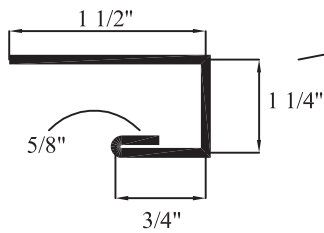


13/5



J-CHANNEL

5/3

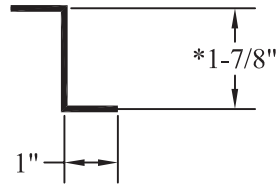


PO BOX 128, GOLDSBORO NC, 27533  
888-267-6153 TOLL FREE  
919-739-6153 OFF  
919-705-1097 FAX



ACCESSORIES FOR FLASHING DETAILS

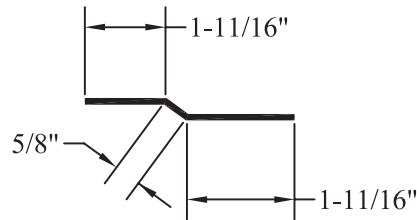
"Z"—CLOSURE  
IS COLOR MATCHED TO FLASHING



4/2

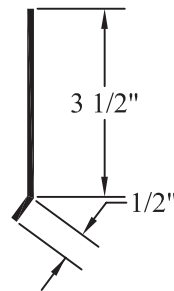
\*NOTE - DIMENSIONS WILL BE DIFFERENT FOR EACH TYPE OF STANDING SEAM PANEL.

—OFF—SET CLEAT



4/2

—CONCEALED CLEAT



4/1

- MASTIC TAPE IS 1" WIDE AND COMES IN 50' ROLLS.
- PAINTED WASHER SCREWS ARE AVAILABLE FOR WOOD AND METAL
- POP RIVETS ARE AVAILABLE IN ALL COLORS AND INCLUDED ON QUOTES.
- COLOR MATCHED CAULK IS AVAILABLE FOR ALL QUOTES.
- PIPE BOOTS ARE AVAILABLE FOR ALL QUOTES.



PO BOX 128, GOLDSBORO NC, 27533  
888-267-6153 TOLL FREE  
919-739-6153 OFF  
919-705-1097 FAX

# INSTALLATION NOTES

- A MINIMUM SLOPE OF 2-1/2 IN 12 IS REQUIRED FOR ALL ROOFING PANELS.
- FLASHINGS MUST LAP A MINIMUM OF 6". LAP FLASHINGS SHINGLE-STYLE TO SHED WATER.
- USE LIQUID TOUCH-UP PAINT WITH A BRUSH TO REPAIR SCRATCHES ON PANELS. USING SPRAY PAINT ON PANELS WILL CREATE PROBLEMS BECAUSE IT FADES RAPIDLY WHEN COMPARED TO THE PAINT ON THE PANELS.
- WHEN PANELS ARE INSTALLED OVER A SOLID DECK, A MINIMUM OF 30 LB FELT IS ACCEPTABLE AS AN UNDERLAYMENT WHEN WITHIN SPECIFICATIONS. SYNTHETIC UNDERLAYMENTS ARE RECOMMENDED. HIGH TEMP, ICE & WATER SHIELD IS RECOMMENDED FOR VALLEYS, TRANSITIONS & ALL OTHER FLASHING AREAS.
- IF THE ROOF DECK IS UNEVEN, NOT SYMMETRICAL, OR IN OTHERWISE UNSATISFACTORY CONDITION, THE PANELS WILL SIMPLY REFLECT THOSE IMPERFECTIONS. BEFORE STARTING INSTALLATION, INSPECT THE ROOF DECK OR STRUCTURE TO WHICH THE PANELS ARE TO BE APPLIED. DO NOT BEGIN INSTALLATION OF METAL PANELS IF THE SUBSTRATE IS NOT IN SATISFACTORY CONDITION.
- COASTAL METAL SERVICE RECOMMENDS USING SHEARS TO CUT METAL PANELS. IF A SAW IS USED, ALWAYS REMOVE ALL SAW DISCHARGE (SAW DUST) FROM THE PANELS AFTER THE CUTS ARE MADE. SAW DISCHARGE IS SIMPLY TINY, HOT PIECES OF RAW STEEL THAT STICK TO THE PAINTED SURFACE OF THE PANELS. IF THEY ARE NOT REMOVED, THEY WILL RUST AT THE FIRST HINT OF MOISTURE AND IT WILL APPEAR THAT THE PANELS ARE RUSTING. A GOOD WAY TO AVOID THIS SITUATION IS TO CUT THE PANELS ON THE GROUND (PAINTED SIDE DOWN) INSTEAD OF ON THE ROOF.  
\*NOTE: THE SAW DISCHARGE IS STILL EASILY REMOVED FROM THE PANELS, BUT PREVENTION IS A MUCH BETTER OPTION.
- STRIPPABLE FILM MUST BE REMOVED IN A TIMELY MANNER ONCE THE MATERIAL IS ON THE JOB. IT IS EASY TO REMOVE WHEN YOU RECEIVE THE MATERIAL, BUT IF IT IS LEFT ON THE MATERIAL FOR A PERIOD OF TIME, IT BECOMES VERY DIFFICULT TO REMOVE. THE AMOUNT OF TIME VARIES WIDELY WITH STORAGE AND WEATHER CONDITIONS.



PO BOX 128, GOLDSBORO NC, 27533  
888-267-6153 TOLL FREE  
919-739-6153 OFF  
919-705-1097 FAX

# INSTALLATION NOTES

THE INSTRUCTIONS OUTLINED IN THIS INSTALLATION MANUAL ARE RECOMMENDATIONS BASED ON PROVEN CONSTRUCTION PRACTICES. THEY ARE NOT INTENDED TO COVER ALL SITUATIONS, DESIGNS OR BUILDING CODES. CONSULT WITH LOCAL BUILDING OFFICIALS TO DETERMINE THE BEST INSTALLATION PROCEDURES FOR YOUR PROJECT.

## IMPORTANT NOTICE & WARNING REGARDING THE USE OF METAL ROOFING CLIPS

- COASTAL METAL SERVICE HAS A UL90 RATING ON OUR 24 GAUGE EZ LOC, HT-150, LT-100, CLASSIC BATTEN AND .032 ALUMINUM EZ LOC PANELS. THE UL90 RATING IS A WIND UPLIFT RATING AND IS CODE IN MANY COASTAL COUNTIES. UL90 IS NOT A WIND SPEED RATING, BUT RATHER A MEASURE OF WIND UPLIFT PRESSURE. CLASS 90 REPRESENTS THE HIGHEST WIND UPLIFT PRESSURE TEST OF 105 PSF (POUNDS PER SQUARE FOOT), WHICH HAS BEEN TESTED AT WIND SPEEDS IN EXCESS OF 170 MPH. THEREFORE, IN MOST CIRCUMSTANCES, COASTAL METAL SERVICE PANELS, WHEN INSTALLED AS PER THE UL CONSTRUCTION GUIDELINES, WILL MEET LOCAL BUILDING CODES FOR HIGH WIND SPEEDS. ADDITIONAL FASTENERS MAY BE REQUIRED IN EXCESS OF NORMAL RECOMMENDATIONS DUE TO THE STRUCTURE'S DESIGN &/OR LOCATION. FOR A STRUCTURE TO HAVE A UL90 RATING, A PROFESSIONAL ENGINEER SHOULD DETERMINE THE PROPER METAL ROOF PANEL STYLE & SIZE, ROOF LOAD/UPLIFT REQUIREMENTS, CLIP SIZE & STRENGTH, CLIP GAUGE, CLIP SPACING & SCREW REQUIREMENTS FOR EACH & EVERY USE OF THE PRODUCT. ALWAYS FOLLOW THE DIRECTIONS OF A PROFESSIONAL ENGINEER WHEN SEEKING A UL90 RATED ROOF STRUCTURE; COASTAL METAL SERVICE CAN ONLY PROVIDE UL90 GUIDELINES.
- PROPER ATTIC VENTILATION SHOULD BE USED TO OPTIMIZE THE LIFE EXPECTANCY OF THE ROOF. CONSULT LOCAL CODES FOR PROPER VENTILATION REQUIREMENTS FOR YOUR AREA.

### CAUTION

INSTALLATION OVER ACQ PRESSURE TREATED LUMBER IS DISCOURAGED DUE TO THE CORROSIVE NATURE OF THE CHEMICALS USED TO TREAT THE LUMBER. WATER RUN-OFF FROM ACQ LUMBER MUST NOT BE ALLOWED TO COME INTO CONTACT WITH METAL PANELS. PROPER PRECAUTIONS MUST BE TAKEN IF ACQ IS TO BE USED.



PO BOX 128, GOLDSBORO NC, 27533  
888-267-6153 TOLL FREE  
919-739-6153 OFF  
919-705-1097 FAX

# RE-ROOF CHECKLIST FOR DRAWING & MEASURING

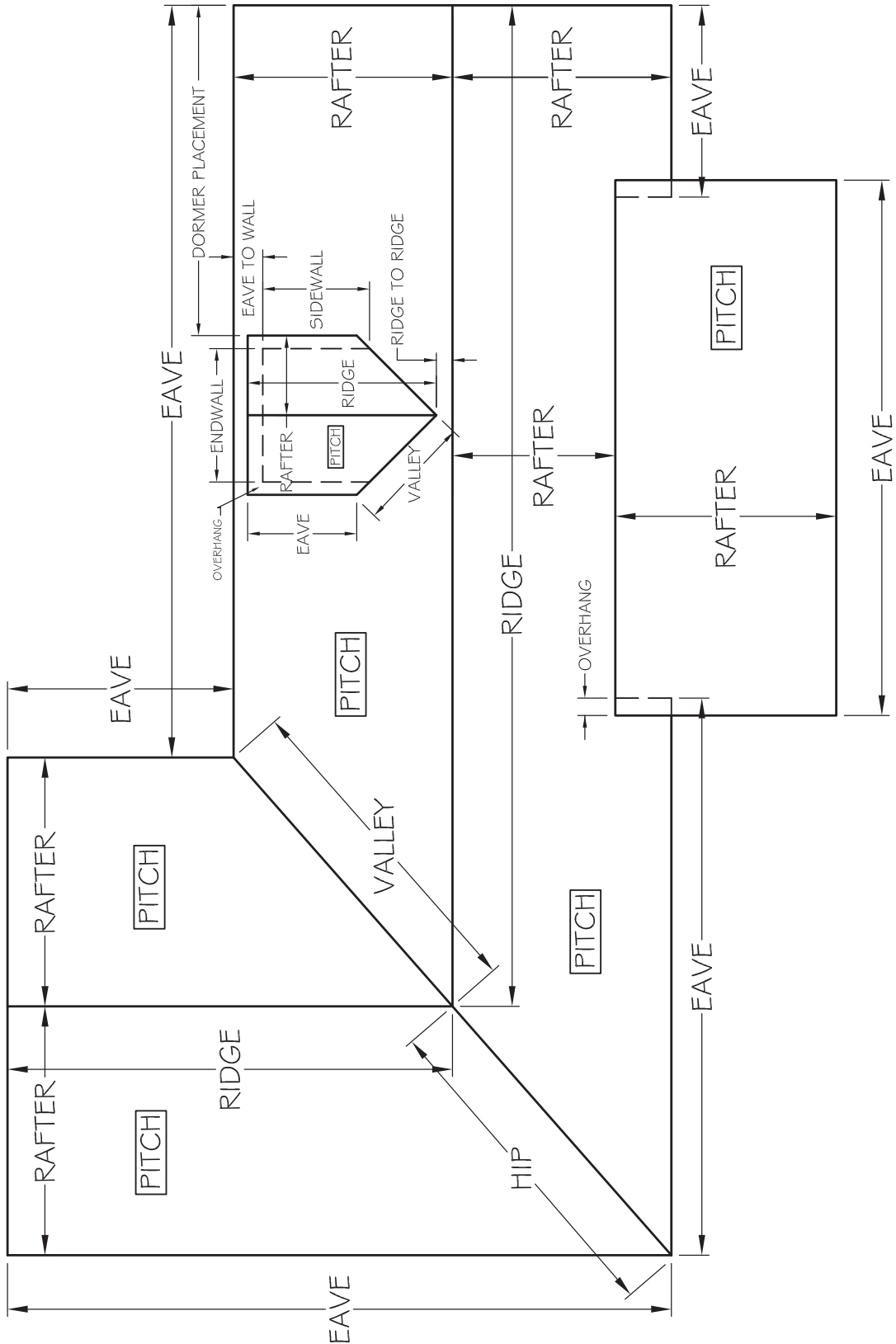
1. PLEASE TAKE PICTURES SHOWING THE ROOF(S) FROM A DISTANCE AND CLOSE UPS OF ANY AREAS THAT MAY NEED SPECIAL ATTENTION. IT IS MOST HELPFUL TO TAKE PICTURES OF THE HOUSE IN A CONTINUOUS SEQUENCE AROUND THE ENTIRE HOUSE. TAKE SPECIAL SITUATION PICTURES AFTER GOING AROUND THE ENTIRE HOUSE.
2. PLEASE NOTE THE PITCH ON EACH ROOF SECTION.
3. PLEASE INDICATE ON THE DRAWING THE LOCATION OF ANY PIPES, INCLUDING MEASUREMENTS TO THE NEAREST EDGES.
4. PLEASE INDICATE IF THERE ARE ANY SKYLIGHTS AND THEIR LOCATIONS, INCLUDING DIMENSIONS OF THE SKYLIGHTS AND DISTANCES TO THE NEAREST EDGES. IF THEY ARE TO BE REMOVED, PLEASE INDICATE THIS ALSO.
5. PLEASE INDICATE ANY ANTENNA OR SATELLITE DISHES AND IF THEY ARE TO BE REMOVED. PLEASE SHOW LOCATION AND DISTANCES TO NEAREST EDGES.
6. PLEASE SHOW CHIMNEY LOCATION(S) AND DIMENSIONS. SHOW DISTANCES TO NEAREST EDGES.
7. PLEASE INDICATE ELECTRICAL CONDUITS AND DISTANCES APART (IF MORE THAN ONE), AS WELL AS DISTANCES TO NEAREST EDGES.
8. PLEASE INDICATE SIMILAR INFORMATION FOR ANY PROJECTIONS OR IRREGULARITIES ON THE ROOF THAT WILL REQUIRE TRIM WORK AND FLASHING.
9. PLEASE SUBMIT DRAWING AND PICTURES WITH A COMPLETED TAKE OFF REQUEST FORM TO COASTAL METAL SERVICE.



PO BOX 128, GOLDSBORO NC, 27533  
888-267-6153 TOLL FREE  
919-739-6153 OFF  
919-705-1097 FAX

# STANDARD ROOF

TOP VIEW DRAWING WITH REQUIRED DIMENSIONS  
FOR CMS TAKE-OFF



# DECKING REQUIREMENTS

## 24 GA ARCHITECTURAL PANELS

EZ-LOC	SOLID DECKING OR OPEN PURLINS*
LT-100	SOLID DECKING ONLY
HT-150	SOLID DECKING ONLY
CLASSIC BATTEN	SOLID DECKING ONLY
SS-24	SOLID DECKING ONLY
MS-16	SOLID DECKING ONLY

\*(PURLINS 24" OC OR UP TO 4' WILL MAINTAIN UL-90 RATING)

## 26 GA ARCHITECTURAL PANELS

SS-26	SOLID DECKING ONLY
NCR PANEL	SOLID DECKING ONLY

- PLYWOOD DECKING TO BE A NOM 5/8 IN. THICK MINIMUM
- ANY SUITABLE MOISTURE BARRIER / A MINIMUM OF 30 LB FELT IS ACCEPTABLE WHEN WITHIN SPECIFICATIONS
- SYNTHETIC UNDERLAYMENTS ARE RECOMMENDED
- HIGH TEMP, ICE & WATER SHIELD IS RECOMMENDED FOR VALLEYS, TRANSITIONS & ALL OTHER FLASHING AREAS

# NOTES

**VERSION 1, FEBRUARY 2016**



1602 HWY 117 NORTH BYPASS  
GOLDSBORO, NC 27530  
Toll Free 888-267-6153  
Phone 919-739-6153  
Fax 919-705-1097

---

Website: <http://www.coastalmetalservice.com>  
E-Mail: [cms1@coastalmetalservice.com](mailto:cms1@coastalmetalservice.com)